



Intel® Atom™ Processor D400 and D500 Series

Datasheet – Volume 2 of 2

This is volume 2 of 2. Refer to document 322844 for Volume 1

June 2010



INFORMATION IN THIS DOCUMENT IS PROVIDED IN CONNECTION WITH INTEL PRODUCTS. NO LICENSE, EXPRESS OR IMPLIED, BY ESTOPPEL OR OTHERWISE, TO ANY INTELLECTUAL PROPERTY RIGHTS IS GRANTED BY THIS DOCUMENT. EXCEPT AS PROVIDED IN INTEL'S TERMS AND CONDITIONS OF SALE FOR SUCH PRODUCTS, INTEL ASSUMES NO LIABILITY WHATSOEVER AND INTEL DISCLAIMS ANY EXPRESS OR IMPLIED WARRANTY, RELATING TO SALE AND/OR USE OF INTEL PRODUCTS INCLUDING LIABILITY OR WARRANTIES RELATING TO FITNESS FOR A PARTICULAR PURPOSE, MERCHANTABILITY, OR INFRINGEMENT OF ANY PATENT, COPYRIGHT OR OTHER INTELLECTUAL PROPERTY RIGHT. UNLESS OTHERWISE AGREED IN WRITING BY INTEL, THE INTEL PRODUCTS ARE NOT DESIGNED NOR INTENDED FOR ANY APPLICATION IN WHICH THE FAILURE OF THE INTEL PRODUCT COULD CREATE A SITUATION WHERE PERSONAL INJURY OR DEATH MAY OCCUR.

Intel may make changes to specifications and product descriptions at any time, without notice. Designers must not rely on the absence or characteristics of any features or instructions marked "reserved" or "undefined." Intel reserves these for future definition and shall have no responsibility whatsoever for conflicts or incompatibilities arising from future changes to them. The information here is subject to change without notice. Do not finalize a design with this information.

Intel processor numbers are not a measure of performance. Processor numbers differentiate features within each processor family, not across different processor families. See http://www.intel.com/products/processor_number for details.

The products described in this document may contain design defects or errors known as errata, which may cause the product to deviate from published specifications. Current characterized errata are available on request.

Code Names are for use by Intel to identify products, platforms, programs, services, etc. in development by Intel that have not been made commercially available to the public, i.e., launched or shipped. They are never to be used as "commercial" names for products or intended to function as trademarks.

Intel processor numbers are not a measure of performance. Processor numbers differentiate features within each processor family, not across different processor families. Go to: <http://www.intel.com/products/processor%5Fnumber/>

Intel and the Intel Logo are trademarks of Intel Corporation in the U.S. and other countries.

*Other names and brands may be claimed as the property of others.

Copyright © 2010, Intel Corporation. All rights reserved



Contents

1	Processor Configuration Registers.....	8
1.1	Register Terminology.....	8
1.2	System Address Map.....	10
1.2.1	Legacy Address Range.....	12
1.2.2	Main Memory Address Range (1 MB - TOLUD).....	15
1.2.3	PCI* Memory Address Range (TOLUD - 4 GB).....	18
1.2.4	Main Memory Address Space (4 GB to TOUUD).....	20
1.2.5	PCI Express Configuration Address Space.....	21
1.2.6	Graphics Memory Address Ranges.....	22
1.2.7	System Management Mode (SMM).....	22
1.2.8	Memory Shadowing.....	25
1.2.9	I/O Address Space.....	25
1.2.10	Memory Controller Decode Rules and Cross-Bridge Address Mapping.....	26
1.3	Processor Register Introduction.....	26
1.4	I/O Mapped Registers.....	27
1.5	PCI Device 0.....	28
1.5.1	VID - Vendor Identification.....	30
1.5.2	DID - Device Identification.....	31
1.5.3	PCICMD - PCI Command.....	31
1.5.4	PCISTS - PCI Status.....	33
1.5.5	RID - Revision Identification.....	35
1.5.6	CC - Class Code.....	35
1.5.7	MLT - Master Latency Timer.....	36
1.5.8	HDR - Header Type.....	36
1.5.9	SVID - Subsystem Vendor Identification.....	36
1.5.10	SID - Subsystem Identification.....	37
1.5.11	CAPPTR - Capabilities Pointer.....	37
1.5.12	PXPEPBAR - PCI Express Egress Port Base Address.....	37
1.5.13	MCHBAR - GMCH Memory Mapped Register Range Base.....	38
1.5.14	GGC - GMCH Graphics Control Register.....	39
1.5.15	DEVEN - Device Enable.....	41
1.5.16	PCIEXBAR - PCI Express Register Range Base Address.....	42
1.5.17	DMIBAR - Root Complex Register Range Base Address.....	44
1.5.18	PAM0 - Programmable Attribute Map 0.....	44
1.5.19	PAM1 - Programmable Attribute Map 1.....	46
1.5.20	PAM2 - Programmable Attribute Map 2.....	47
1.5.21	PAM3 - Programmable Attribute Map 3.....	48
1.5.22	PAM4 - Programmable Attribute Map 4.....	49
1.5.23	PAM5 - Programmable Attribute Map 5.....	50
1.5.24	PAM6 - Programmable Attribute Map 6.....	51
1.5.25	LAC - Legacy Access Control.....	52
1.5.26	REMAPBASE - Remap Base Address Register.....	52
1.5.27	REMAPLIMIT - Remap Limit Address Register.....	53
1.5.28	SMRAM - System Management RAM Control.....	53
1.5.29	ESMRAMC - Extended System Management RAM Control.....	55
1.5.30	TOM - Top of Memory.....	56
1.5.31	TOUUD - Top of Upper Usable Dram.....	57
1.5.32	GBSM - Graphics Base of Stolen Memory.....	57



1.5.33	BGSM - Base of GTT stolen Memory	58
1.5.34	TSEGMB - TSEG Memory Base.....	59
1.5.35	TOLUD - Top of Low Usable DRAM	59
1.5.36	ERRSTS - Error Status	61
1.5.37	ERRCMD - Error Command	62
1.5.38	SMICMD - SMI Command	63
1.5.39	SKPD - Scratchpad Data.....	64
1.5.40	CAPID0 - Capability Identifier.....	64
1.6	MCHBAR	66
1.6.1	CHDECMISC - Channel Decode Misc	67
1.6.2	CODRB0 - Channel 0 DRAM Rank Boundary Address 0	68
1.6.3	CODRB1 - Channel 0 DRAM Rank Boundary Address 1	69
1.6.4	CODRB2 - Channel 0 DRAM Rank Boundary Address 2	69
1.6.5	CODRB3 - Channel 0 DRAM Rank Boundary Address 3	70
1.6.6	CODRA01 - Channel 0 DRAM Rank 0,1 Attribute.....	70
1.6.7	CODRA23 - Channel 0 DRAM Rank 2, 3 Attribute.....	72
1.6.8	COCYCTRKPCHG - Channel 0 CYCTRK PCHG	72
1.6.9	COCYCTRKACT - Channel 0 CYCTRK ACT	73
1.6.10	COCYCTRKWR - Channel 0 CYCTRK WR.....	74
1.6.11	COCYCTRKR - Channel 0 CYCTRK READ	75
1.6.12	COCYCTRKREFR - Channel 0 CYCTRK REFR.....	76
1.6.13	COCKECTRL - Channel 0 CKE Control.....	76
1.6.14	COREFRCTRL - Channel 0 DRAM Refresh Control	78
1.6.15	COODTCTRL - Channel 0 ODT Control.....	80
1.6.16	PMSTS - Power Management Status	81
1.7	DMIBAR	82
1.7.1	DMIVCECH - DMI Virtual Channel Enhanced Capability.....	83
1.7.2	DMIPVCCAP1 - DMI Port VC Capability Register 1	84
1.7.3	DMIPVCCAP2 - DMI Port VC Capability Register 2.....	85
1.7.4	DMIPVCCCTL - DMI Port VC Control	85
1.7.5	DMIVCORCAP - DMI VC0 Resource Capability.....	86
1.7.6	DMIVCORCTL0 - DMI VC0 Resource Control.....	86
1.7.7	DMIVCORSTS - DMI VC0 Resource Status	87
1.7.8	DMIVC1RCAP - DMI VC1 Resource Capability.....	88
1.7.9	DMIVC1RCTL1 - DMI VC1 Resource Control.....	89
1.7.10	DMIVC1RSTS - DMI VC1 Resource Status	90
1.7.11	DMIRCLDECH - DMI Root Complex Link Declaration.....	91
1.7.12	DMIESD - DMI Element Self Description.....	91
1.7.13	DMILE1D - DMI Link Entry 1 Description.....	92
1.7.14	DMILE1A - DMI Link Entry 1 Address.....	93
1.7.15	DMILE2D - DMI Link Entry 2 Description.....	94
1.7.16	DMILE2A - DMI Link Entry 2 Address.....	95
1.7.17	DMIRCILCECH - DMI Root Complex Internal Link Control	95
1.7.18	DMILCAP - DMI Link Capabilities.....	96
1.7.19	DMILCTL - DMI Link Control.....	97
1.7.20	DMILSTS - DMI Link Status.....	98
1.8	EPBAR	98
1.8.1	EPESD - EP Element Self Description	99
1.8.2	EPLE1D - EP Link Entry 1 Description	100
1.8.3	EPLE1A - EP Link Entry 1 Address	101
1.8.4	EPLE2D - EP Link Entry 2 Description	101
1.8.5	EPLE2A - EP Link Entry 2 Address	102
1.9	PCI Device 2 Function 0	102
1.9.1	VID2 - Vendor Identification	105



1.9.2	DID - Device Identification.....	105
1.9.3	PCICMD2 - PCI Command.....	106
1.9.4	PCISTS2 - PCI Status.....	107
1.9.5	RID2 - Revision Identification.....	108
1.9.6	CC - Class Code	109
1.9.7	CLS - Cache Line Size	109
1.9.8	MLT2 - Master Latency Timer	110
1.9.9	HDR2 - Header Type.....	110
1.9.10	MMADR - Memory Mapped Range Address	110
1.9.11	IOBAR - I/O Base Address	111
1.9.12	GMADR - Graphics Memory Range Address	112
1.9.13	GTTADR - Graphics Translation Table Range Address.....	113
1.9.14	SVID2 - Subsystem Vendor Identification.....	113
1.9.15	SID2 - Subsystem Identification	114
1.9.16	ROMADR - Video BIOS ROM Base Address.....	114
1.9.17	CAPPOINT - Capabilities Pointer.....	115
1.9.18	INTRLINE - Interrupt Line.....	115
1.9.19	INTRPIN - Interrupt Pin.....	116
1.9.20	MINGNT - Minimum Grant	116
1.9.21	MAXLAT - Maximum Latency	116
1.9.22	CAPID0 - Mirror of Device 0 Capability Identifier	117
1.9.23	MGGC - GMCH Graphics Control Register	118
1.9.24	DEVEN - Device Enable	120
1.9.25	SSRW - Software Scratch Read Write	121
1.9.26	BSM - Base of Stolen Memory	121
1.9.27	HSRW - Hardware Scratch Read Write.....	122
1.9.28	MSAC - Multi Size Aperture Control	122
1.9.29	SCWBFC - Secondary CWB Flush Control	123
1.9.30	MSI_CAPID - Message Signaled Interrupts Capability ID	123
1.9.31	MC - Message Control	124
1.9.32	MA - Message Address	125
1.9.33	MD - Message Data	125
1.9.34	GDRST - Graphics Debug Reset.....	126
1.9.35	PMCAPIID - Power Management Capabilities ID.....	127
1.9.36	PMCAP - Power Management Capabilities	127
1.9.37	PMCS - Power Management Control/Status	128
1.9.38	SWSMI - Software SMI.....	129
1.9.39	LBB - LBB-Legacy Backlight Brightness.....	130
1.10	PCI Device 2 Function 1	130
1.10.1	VID2 - Vendor Identification	132
1.10.2	DID2 - Device Identification.....	133
1.10.3	PCICMD2 - PCI Command.....	133
1.10.4	PCISTS2 - PCI Status.....	135
1.10.5	RID2 - Revision Identification.....	136
1.10.6	CC - Class Code Register	137
1.10.7	CLS - Cache Line Size	137
1.10.8	MLT2 - Master Latency Timer	138
1.10.9	HDR2 - Header Type.....	138
1.10.10	MMADR - Memory Mapped Range Address	139
1.10.11	SVID2 - Subsystem Vendor Identification.....	139
1.10.12	SID2 - Subsystem Identification	140
1.10.13	ROMADR - Video BIOS ROM Base Address.....	140
1.10.14	CAPPOINT - Capabilities Pointer.....	141
1.10.15	MINGNT - Minimum Grant	141



1.10.16	MAXLAT - Maximum Latency	141
1.10.17	CAPID0 - Mirror of Device 0 Capability Identifier	142
1.10.18	MGGC - Mirror of Dev 0 GMCH Graphics Control Register	143
1.10.19	DEVEN - Device Enable	145
1.10.20	SSRW - Mirror of Fun 0 Software Scratch Read Write.....	146
1.10.21	BSM - Mirror of Func0 Base of Stolen Memory	146
1.10.22	HSRW - Mirror of Dev2 Func0 Hardware Scratch Read Write	147
1.10.23	MSAC - Mirror of Dev2 Func0 Multi Size Aperture Control	147
1.10.24	GDRST - Mirror of Dev2 Func0 Graphics Debug Reset	148
1.10.25	PMCAPI0 - Mirror of Fun 0 Power Management Capabilities ID	149
1.10.26	PMCAP - Mirror of Fun 0 Power Management Capabilities.....	149
1.10.27	PMCS - Power Management Control/Status	150
1.10.28	SWSMI - Mirror of Func0 Software SMI	151
1.11	Device 2 IO	152
1.11.1	Index - MMIO Address Register	152
1.11.2	Data - MMIO Data Register	153

Figures

Figure 1-1.	System Address Ranges.....	12
Figure 1-2.	DOS Legacy Address Range.....	13
Figure 1-3.	Main Memory Address Range.....	16
Figure 1-4.	PCI Memory Address Range.....	19

Tables

Table 1-1.	Expansion Area Memory Segments	14
Table 1-2.	Extended System BIOS Area Memory Segments	15
Table 1-3.	System BIOS Area Memory Segments.....	15
Table 1-5.	Pre-allocated Memory Example for 64 MB DRAM, 1 MB VGA, 1 MB GTT stolen and 1 MB TSEG	17
Table 1-6.	SMM Space Table.....	23
Table 1-7.	SMM Control Table	24
Table 1-16.	Device 0 Function 0 Register Summary	28



Revision History

Revision Number	Description	Revision Date
001	<ul style="list-style-type: none">• Initial Release	December 2009
002	<ul style="list-style-type: none">• No update. Matched with the revision number of volume 1	June 2010

§



1 Processor Configuration Registers

This is Volume 2 of the *Intel® Atom™ Processor D400 and D500 Series Datasheet*, and is intended to be distributed as part of the complete document. This document provides register information for the processor.

1.1 Register Terminology

The following table shows the register-related terminology that is used in this document.

Item	Definition
RO	Read Only bit(s) . Writes to these bits have no effect. These are static values only.
RO-V	Read Only/Volatile bit(s) . Writes to these bits have no effect. These are status bits only. The value to be read may change based on internal events.
RO-V-S	Read Only/Volatile/Sticky bit(s) . Writes to these bits have no effect. These are status bits only. The value to be read may change based on internal events. Bits are not returned to their default values by "warm" reset, but will be reset with a cold/complete reset.
AF	Atomic Flag bit(s) . The first time the bit is read with an enabled byte, it returns the value 0, but a side effect of the read is that the value changes to 1. Any subsequent reads with enabled bytes return a 1 until a 1 is written to the bit. When the bit is read, but the byte is not enabled, the state of the bit does not change, and the value returned is irrelevant, but will match the state of the bit. When a 0 is written to the bit, there is no effect. When a 1 is written to the bit, its value becomes 0, until the next byte-enabled read. When the bit is written, but the byte is not enabled, there is no effect. Conceptually, this is "Read to Set, Write 1 to Clear"
RW	Read/Write bit(s) . These bits can be read and written by software. Hardware may only change the state of this bit by reset.
RW1C	Read/Write 1 to Clear bit(s) . These bits can be read. Internal events may set this bit. A software write of 1 clears (sets to '0') the corresponding bit(s) and a write of 0 has no effect.
RW1C-L-S	Read/Write 1 to Clear/Lockable/Sticky bit(s) . These bits can be read. Internal events may set this bit. A software write of 1 clears (sets to '0') the corresponding bit(s) and a write of 0 has no effect. Bits are not cleared by "warm" reset, but will be reset with a cold/complete reset. Additionally there is a Key bit (which is marked RW-K or RW-L-K) that, when set, prohibits this bit field from being writeable (bit field becomes Read Only/Volatile).



Item	Definition
RW1C-S	Read/Write 1 to Clear/Sticky bit(s) . These bits can be read. Internal events may set this bit. A software write of 1 clears (sets to 0) the corresponding bit(s) and a write of 0 has no effect. Bits are not cleared by "warm" reset, but will be reset with a cold/complete reset.
RW-K	Read/Write/Key bit(s) . These bits can be read and written by software. Additionally this bit, when set, prohibits some other target bit field from being writeable (bit fields become Read Only).
RW-L	Read/Write/Lockable bit(s) . These bits can be read and written by software. Additionally there is a Key bit (which is marked RW-K or RW-L-K) that, when set, prohibits this bit field from being writeable (bit field becomes Read Only).
RW-L-K	Read/Write/Lockable/Key bit(s) . These bits can be read and written by software. This bit, when set, prohibits some other bit field(s) from being writeable (bit fields become Read Only). Additionally there is a Key bit (which is marked RW-K or RW-L-K) that, when set, prohibits this bit field from being writeable (bit field becomes Read Only). Conceptually, this may be a cascaded lock, or it may be self-locking when in its non-default state. When self-locking, it differs from RW-O in that writing back the default value will not set the lock.
RW-V	Write/Volatile bit(s) . These bits can be read and written by software. Hardware may set or clear the bit based on internal events, possibly sooner than any subsequent software read could retrieve the value written.
RW-V-L	Read/Write/Volatile/Lockable bit(s) . These bits can be read and written by software. Hardware may set or clear the bit based upon internal events, possibly sooner than any subsequent software read could retrieve the value written. Additionally there is a bit (which is marked RW-K or RW-L-K) that, when set, prohibits this bit field from being writeable (bit field becomes Read Only).
RW-V-L-S	Read/Write/Volatile/Lockable/Sticky bit(s) . These bits can be read and written by software. Hardware may set or clear the bit based upon internal events, possibly sooner than any subsequent software read could retrieve the value written. Additionally there is a bit (which is marked RW-K or RW-L-K) that, when set, prohibits this bit field from being writeable (bit field becomes Read Only). These bits return to their default values on cold reset.
RW-S	Read/Write/Sticky bit(s) . These bits can be read and written by software. Bits are not returned to their default values by "warm" reset, but will return to default values with a cold/complete reset.
RW-O	Read/Write Once bit(s) . Reads prior to the first write return the default value. The first write after warm reset stores any value written. Any subsequent write to this bit field is ignored. All subsequent reads return the first value written. The value returns to default on warm reset. If there are multiple RW-O or RW-O-S fields within a DWORD, they should be written all at once (atomically) to avoid capturing an incorrect value.
RW-O-S	Read/Write Once/Sticky bit(s) . Reads prior to the first write return the default value. The first write after cold reset stores any value written. Any subsequent write to this bit field is ignored. All subsequent reads return the first value written. The value returns to default on cold reset. If there are multiple RW-O or RW-O-S fields within a DWORD, they should be written all at once (atomically) to avoid capturing an incorrect value.



Item	Definition
W	Write-only. These bits may be written by software, but will always return zeros when read. They are used for write side-effects. Any data written to these registers cannot be retrieved.
W1C	Write 1 to Clear-only. These bits may be cleared by software by writing a 1. Writing a 0 has no effect. The state of the bits cannot be read directly. The states of such bits are tracked outside the CPU and all read transactions to the address of such bits are routed to the other agent. Write transactions to these bits go to both agents.

1.2 System Address Map

The SoC processor supports 64GB (36 bit) of addressable memory space and 64 KB+3 of addressable I/O space. There is a programmable memory address space under the 1 MB region, which is divided into regions, which can be individually controlled with programmable attributes such as Disable, Read/Write, Write Only, or Read Only. Attribute programming is described in the Register Description section. This section focuses on how the memory space is partitioned and what the separate memory regions are used. I/O address space has simpler mapping and is explained near the end of this section.

Addressing of greater than 4 GB is allowed on either the DMI Interface. The SoC processor supports a maximum of 8GB of DRAM. No DRAM memory will be accessible above 16 GB. DRAM capacity is limited by the number of address pins available. There is no hardware lock to stop someone from inserting more memory than is addressable.

When running in internal graphics mode, writes to GMADR range linear range are supported. Write accesses to linear regions are supported from DMI. Write accesses to tileX and tileY regions (defined via fence registers) are not supported from DMI. GMADR read accesses are not supported from DMI.

In the following sections, it is assumed that all of the compatibility memory ranges reside on the DMI Interface. The exception to this rule is VGA ranges, which may be mapped to DMI or to the internal graphics device (IGD). In the absence of more specific references, cycle descriptions referencing PCI should be interpreted as the DMI Interface/PCI, while cycle descriptions referencing IGD are related to the internal graphics device. Processor does not remap APIC or any other memory spaces above TOLUD (Top of Low Usable DRAM). The TOLUD register is set to the appropriate value by BIOS. The reclaimbase/reclaimlimit registers remap logical accesses bound for addresses above 4G onto physical addresses that fall within DRAM.

The Address Map includes a number of programmable ranges:

Device 0:

PXPEPBAR – Egress port registers. Necessary for setting up VC1 as an isochronous channel with fixed arbitration. (4KB window)

MCHBAR – Memory mapped range for internal MCH registers. For example, memory buffer register controls. (16KB window)



PCIEXBAR – Flat memory-mapped address spaced to access device configuration registers. This mechanism can be used to access PCI configuration space (0-FFh) and Extended configuration space (100h-FFFh) for PCI Express devices. This enhanced configuration access mechanism is defined in the PCI Express specification. (64MB, 128MB, or 256MB window).

DMIBAR – This window is used to access registers associated with the MCH/PCH Serial Interconnect (DMI) register memory range. (4KB window)

GGCGMS – CPU UNCORE graphics control register, Graphics Mode Select. Used to select the amount of main memory that is pre-allocated to support the internal graphics device in VGA (non-linear) and Native (linear) modes. (0-64 MB options).

GGCGMS – MCH graphics control register, GTT Graphics Memory Size. Used to select the amount of main memory that is pre-allocated to support the Internal Graphics Translation Table. (0-2 MB options).

Device 2, Function 0:

MMADR – IGD registers and internal graphics instruction port. (512KB window)

IOBAR – IO access window for internal graphics. Though this window address/data register pair, using I/O semantics, the IGD and internal graphics instruction port registers can be accessed. Note, this allows accessing the same registers as MMADR. In addition, the IOBAR can be used to issue writes to the GTTADR table.

GMADR – Internal graphics translation window (128 MB, 256 MB or 512 MB window).

GTTADR – Internal graphics translation table location. (1MB window). Note that the Base of GTT stolen Memory register (Device 0 A8) indicates the physical address base which is 1MB aligned.

Device 2, Function 1:

MMADR – Function 1 IGD registers and internal graphics instruction port. (512KB window)

The rules for the above programmable ranges are:

1. ALL of these ranges MUST be unique and NON-OVERLAPPING. It is the BIOS or system designers' responsibility to limit memory population so that adequate PCI, High BIOS, PCI Express Memory Mapped space, and APIC memory space can be allocated.
2. In the case of overlapping ranges with memory, the memory decode will be given priority.

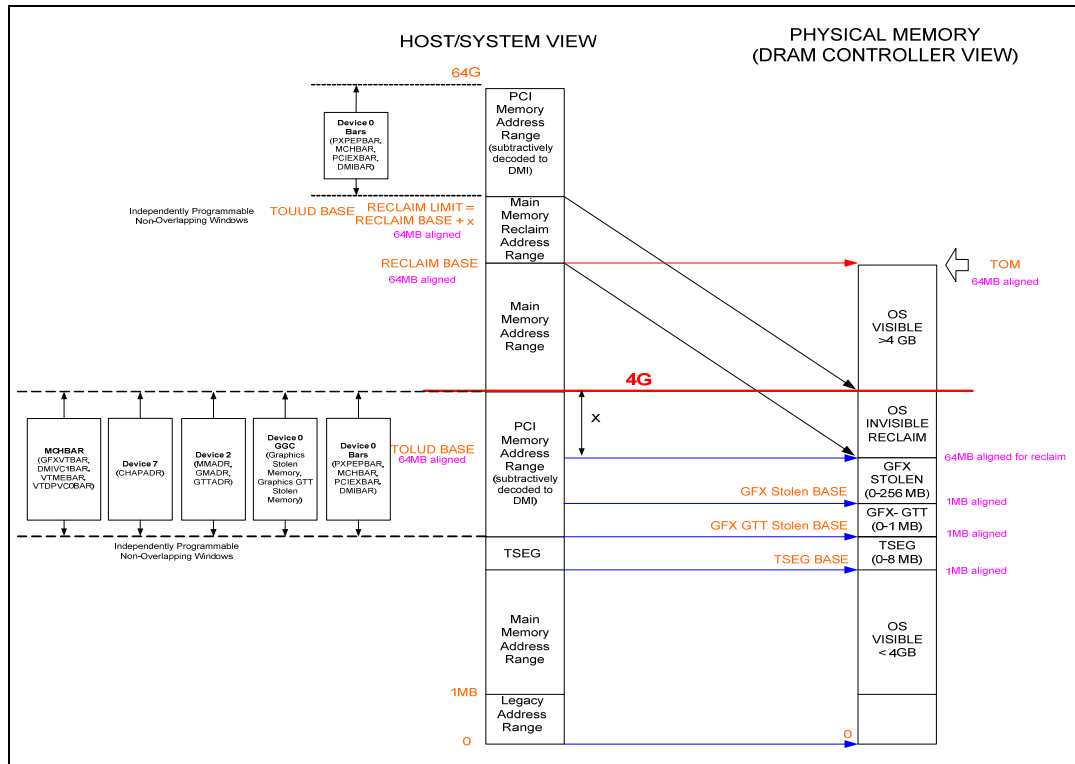
There are NO Hardware Interlocks to prevent problems in the case of overlapping ranges.

Accesses to overlapped ranges may produce indeterminate results.

Peer-to-peer cycles from DMI Interface to the Internal Graphics VGA are not allowed.

Figure 1-1 represents system memory address map in a simplified form.

Figure 1-1. System Address Ranges



1.2.1 Legacy Address Range

This area is divided into the following address regions:

- 0 - 640 KB – DOS Area
- 640 - 768 KB – Legacy Video Buffer Area
- 768 - 896 KB in 16KB sections (total of eight sections) – Expansion Area
- 896 - 960 KB in 16KB sections (total of four sections) – Extended System BIOS Area
- 960 KB - 1 MB Memory – System BIOS Area



Figure 1-2. DOS Legacy Address Range

000F_FFFFh	System BIOS (Upper) 64KB	1MB
000F_0000h		960KB
000E_FFFFh	Extended System BIOS (Lower) 64KB (16KBx4)	896KB
000E_0000h		
000D_FFFFh	Expansion Area 128KB (16KBx8)	
000C_0000h		768KB
000B_FFFFh	Legacy Video Area (SMM Memory) 128KB	
000A_0000h		640KB
0009_FFFFh	DOS Area	
0000_0000h		

1.2.1.1 DOS Range (0h – 9_FFFFh)

The DOS area is 640 KB (0000_0000h – 0009_FFFFh) in size and is always mapped to the main memory controlled by the processor.

1.2.1.2 Legacy Video Area (A_0000h-B_FFFFh)

The legacy 128KB VGA memory range, frame buffer, (000A_0000h – 000B_FFFFh) can be mapped to IGD (Device #2) and/or to the DMI Interface. The appropriate mapping depends on which devices are enabled and the programming of the VGA steering bits. Based on the VGA steering bits, priority for VGA mapping is constant. The IMC always decodes internally mapped devices first. Internal to the IMC, decode precedence is always given to IGD. The IMC always positively decodes internally mapped device, namely the IGD. Subsequent decoding of regions mapped to the DMI Interface depends on the Legacy VGA configuration bits (VGA Enable). This region is also the default for SMM space.



Compatible SMRAM Address Range (A_0000h-B_FFFFh)

When compatible SMM space is enabled, SMM-mode CPU accesses to this range are routed to physical system DRAM at 000A 0000h - 000B FFFFh. Non-SMM-mode CPU accesses to this range are considered to be to the Video Buffer Area as described above. DMI originated cycles to enable SMM space are not allowed and are considered to be to the Video Buffer Area if IGD is not enabled as the VGA device.

Monochrome Adapter (MDA) Range (B_0000h-B_7FFFh)

Legacy support requires the ability to have a second graphics controller (monochrome) in the system. Accesses in the standard VGA range are forwarded to IGD or the DMI Interface (depending on configuration bits). Since the monochrome adapter may be mapped to anyone of these devices, the IMC must decode cycles in the MDA range (000B_0000h - 000B_7FFFh) and forward either to IGD or the DMI Interface. This capability is controlled by a VGA steering bits. In addition to the memory range B0000h to B7FFFh, the IMC decodes IO cycles at 3B4h, 3B5h, 3B8h, 3B9h, 3BAh and 3BFh and forwards them to the either IGD and/or the DMI Interface.

1.2.1.3 Expansion Area (C_0000h-D_FFFFh)

This 128 KByte ISA Expansion region (000C_0000h – 000D_FFFFh) is divided into eight 16 KB segments. Each segment can be assigned one of four Read/Write states: read-only, write-only, read/write, or disabled. Typically, these blocks are mapped through IMC and are subtractive decoded to ISA space. Memory that is disabled is not remapped.

Non-snooped accesses from DMI to this region are always sent to DRAM. This complies with a Colusa DCN.

Table 1-1. Expansion Area Memory Segments

Memory Segments	Attributes	Comments
0C0000H	WE RE	Add-on BIOS
0C4000H	WE RE	Add-on BIOS
0C8000H	WE RE	Add-on BIOS
0CC000H	WE RE	Add-on BIOS
0D0000H	WE RE	Add-on BIOS
0D4000H	WE RE	Add-on BIOS
0D8000H	WE RE	Add-on BIOS
0DC000H	WE RE	Add-on BIOS

1.2.1.4 Extended System BIOS Area (E_0000h-E_FFFFh)

This 64 KByte area (000E_0000h – 000E_FFFFh) is divided into four 16 KByte segments. Each segment can be assigned independent read and write attributes so it can be mapped either to main DRAM or to DMI Interface. Typically, this area is used for RAM or ROM. Memory segments that are disabled are not remapped elsewhere.



Non-snooped accesses from DMI to this region are always sent to DRAM.

Table 1-2. Extended System BIOS Area Memory Segments

Memory Segments	Attributes	Comments
0E0000H – 0E3FFFH	WE RE	BIOS Extension
0E4000H – 0E7FFFH	WE RE	BIOS Extension
0E8000H – 0EBFFFH	WE RE	BIOS Extension
0EC000H – 0EFFFFH	WE RE	BIOS Extension

1.2.1.5 System BIOS Area (F_0000h-F_FFFFh)

This area is a single 64 KByte segment (000F_0000h – 000F_FFFFh). This segment can be assigned read and write attributes. It is by default (after reset) Read/Write disabled and cycles are forwarded to DMI Interface. By manipulating the Read/Write attributes, the IMC can “shadow” BIOS into the main DRAM. When disabled, this segment is not remapped.

Non-snooped accesses from DMI to this region are always sent to DRAM.

Table 1-3. System BIOS Area Memory Segments

Memory Segments	Attributes	Comments
0F0000H – 0FFFFFFH	WE RE	BIOS Area

1.2.1.6 PAM Memory Area Details

The 13 sections from 768 KB to 1 MB comprise what is also known as the PAM Memory Area.

The IMC does not handle Implicit Write-Back (IWB) cycles targeting DMI. Since all memory residing on DMI should be set as non-cacheable, there will normally not be IWB cycles targeting DMI.

However, DMI becomes the default target for CPU and DMI originated accesses to disabled segments of the PAM region. If the MTRRs covering the PAM regions are set to WB or RD it is possible to get IWB cycles targeting DMI. This may occur for CPU originated cycles (in a DP system) and for DMI originated cycles to disabled PAM regions.

For example, say that a particular PAM region is set for “Read Disabled” and the MTRR associated with this region is set to WB. A DMI master generates a memory read targeting the PAM region. Since the PAM region is “Read Disabled” the default target for the Memory Read becomes DMI. The IWB associated with this cycle will cause the IMC to hang.

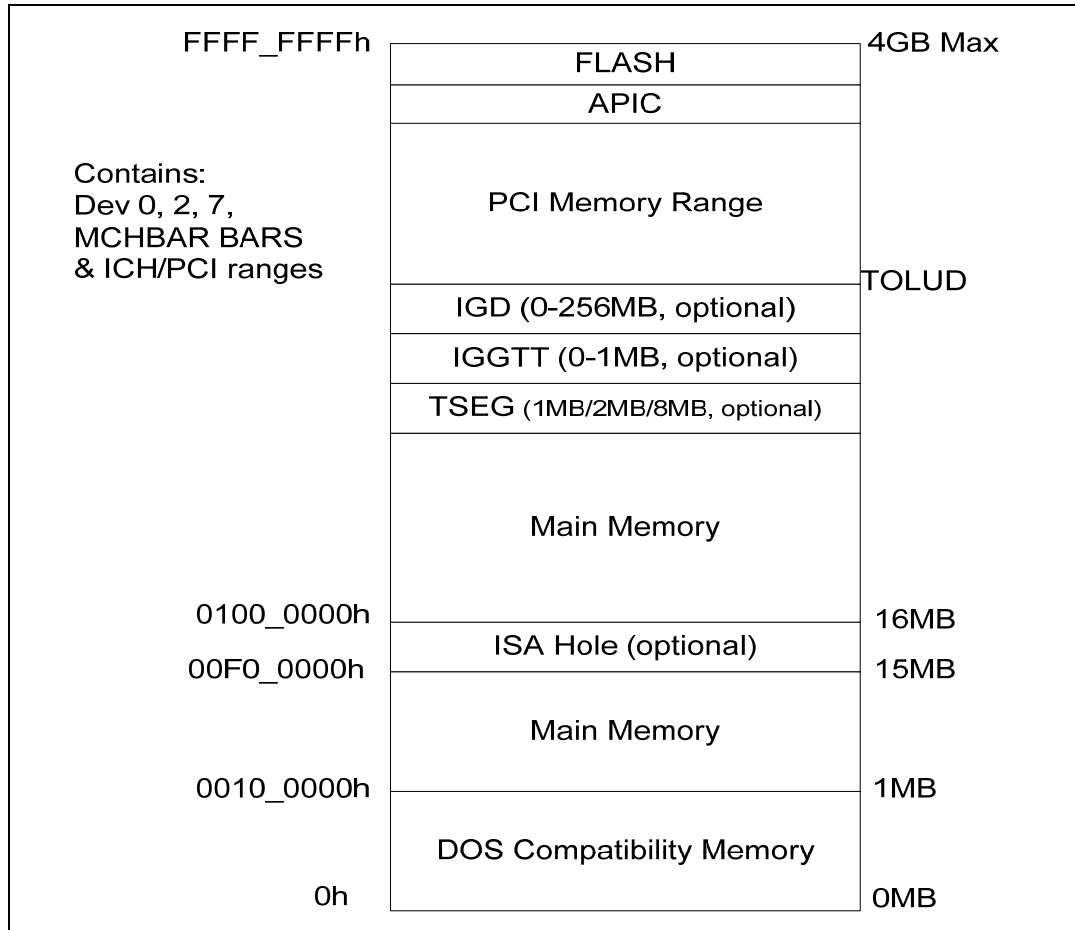
1.2.2 Main Memory Address Range (1 MB - TOLUD)

This address range extends from 1 MB to the top of Low Usable physical memory that is permitted to be accessible by the IMC (as programmed in the TOLUD register). All



accesses to addresses within this range will be forwarded by the IMC to the DRAM unless it falls into the optional TSEG, optional ISA Hole, or optional IGD stolen VGA memory.

Figure 1-3. Main Memory Address Range



1.2.2.1 ISA Hole (15 MB-16 MB)

A hole can be created at 15 MB-16 MB as controlled by the fixed hole enable in Device 0 space. Accesses within this hole are forwarded to the DMI Interface. The range of physical DRAM memory disabled by opening the hole is not remapped to the top of the memory – that physical DRAM space is not accessible. This 15 MB-16 MB hole is an optionally enabled ISA hole.

Video accelerators originally used this hole. It is also used by validation and customer SV teams for some of their test cards. That is why it is being supported. There is no inherent BIOS request for the 15-16 MB window.



1.2.2.2 TSEG

TSEG is optionally 1 MB, 2 MB, or 8 MB in size. TSEG is below IGGTT stolen memory, which is at the top of Low Usable physical memory (TOLUD). SMM-mode CPU accesses to enabled TSEG access the physical DRAM at the same address. Non-CPU originated accesses are not allowed to SMM space. DMI and Internal Graphics originated cycle to enabled SMM space are handled as invalid cycle type with reads and writes to location 0 and byte enables turned off for writes. When the extended SMRAM space is enabled, CPU accesses to the TSEG range without SMM attribute or without WB attribute are also forwarded to memory as invalid accesses (see Table 1-8). Non-SMM-mode Write Back cycles that target TSEG space are completed to DRAM for cache coherency. When SMM is enabled the maximum amount of memory available to the system is equal to the amount of physical DRAM minus the value in the TSEG register, which is fixed at 1 MB, 2 MB or 8 MB.

1.2.2.3 Pre-allocated Memory

Voids of physical addresses that are not accessible as general system memory and reside within system memory address range (< TOLUD) are created for SMM-mode, legacy VGA graphics compatibility, and GFX GTT stolen memory. **It is the responsibility of BIOS to properly initialize these regions.** The following table details the location and attributes of the regions. Enabling/Disabling these ranges are described in the IMC Control Register Device #0 (GCC).

Table 1-4. Pre-allocated Memory Example for 64 MB DRAM, 1 MB VGA, 1 MB GTT stolen and 1 MB TSEG

Memory Segments	Attributes	Comments
0000_0000h – 03CF_FFFFh	R/W	Available System Memory 61 MB
03D0_0000h – 03DF_FFFFh	SMM Mode Only - CPU Reads	TSEG Address Range & Pre-allocated Memory
03E0_0000h – 03EF_FFFFh	R/W	Pre-allocated Graphics GTT stolen memory. 1 MB when IGD is enabled.
03F0_0000h – 03FF_FFFFh	R/W	Pre-allocated Graphics VGA memory. 1 MB (or 4/8/16/32/64/128/256 MB) when IGD is enabled.



1.2.3 PCI * Memory Address Range (TOLUD - 4 GB)

This address range, from the top of low usable DRAM (TOLUD) to 4 GB is normally mapped to the DMI Interface.

Device 0 exceptions are:

Addresses decoded to the egress port registers (PXPEPBAR)

Addresses decoded to the memory mapped range for internal MCH registers (MCHBAR)

Addresses decoded to the flat memory-mapped address spaced to access device configuration registers (PCIEXBAR)

Addresses decoded to the registers associated with the MCH/PCH Serial Interconnect (DMI) register memory range. (DMIBAR)

In integrated graphics configurations, there are exceptions to this rule:

Addresses decoded to the IGD registers and internal graphics instruction port (Function 0 MMADR, Function 1 MMADR)

Addresses decode to the internal graphics translation window (GMADR)

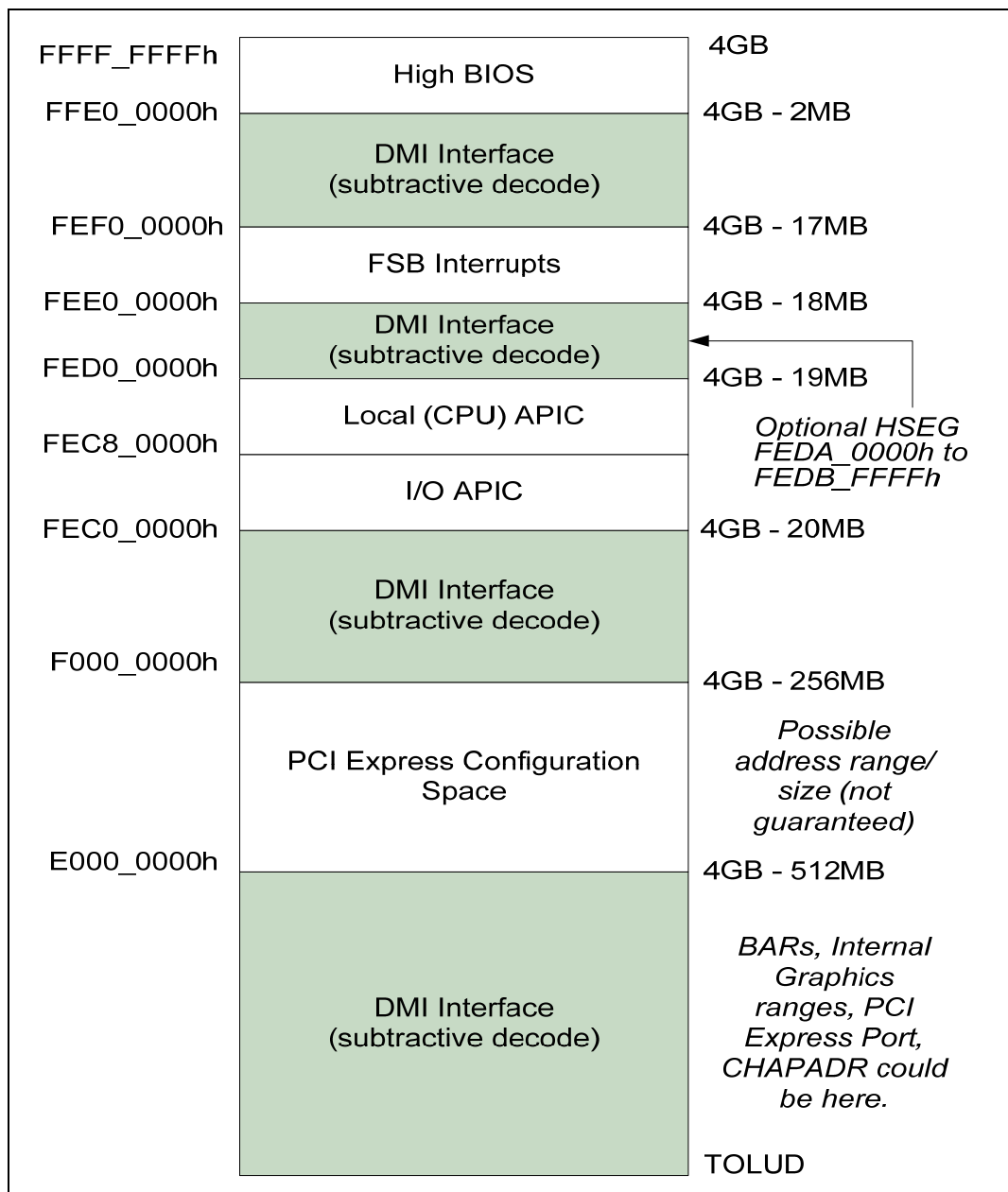
Addresses decode to the internal graphics translation table (GTTADR)

Some of the MMIO Bars may be mapped to this range or to the range above TOLUD.

There are sub-ranges within the PCI Memory address range defined as APIC Configuration Space, and High BIOS Address Range. The exceptions listed above for internal graphics ***MUST NOT*** overlap with these ranges.



Figure 1-4. PCI Memory Address Range



1.2.3.1 APIC Configuration Space (FEC0_0000h-FECF_FFFFh)

This range is reserved for APIC configuration space. The I/O APIC(s) usually reside in the PCH portion of the chipset, but may also exist as stand-alone components like PXH.

The IOAPIC spaces are used to communicate with IOAPIC interrupt controllers that may be populated in the system. Since it is difficult to relocate an interrupt controller using plug-and-play software, fixed address decode regions have been allocated for



them. Processor accesses to the default IOAPIC region (FEC0_0000h to FECF_FFFFh) are always forwarded to DMI.

1.2.3.2 HSEG (FEDA_0000h-FEDB_FFFFh)

This optional segment from FEDA_0000h to FEDB_FFFFh provides a remapping window to SMM Memory. It is sometimes called the High SMM memory space. SMM-mode CPU accesses to the optionally enabled HSEG are remapped to 000A-_0000h - 000B_FFFFh. Non-SMM-mode CPU accesses to enabled HSEG are considered invalid and are terminated immediately. The exceptions to this rule are Non-SMM-mode Write Back cycles, which are remapped to SMM space to maintain cache coherency. DMI originated cycles to enable SMM space are not allowed. Physical DRAM behind the HSEG transaction address is not remapped and is not accessible. All cache line writes with WB attribute or Implicit write backs to the HSEG range are completed to DRAM like an SMM cycle.

1.2.3.3 High BIOS Area

The top 2 MB (FFE0_0000h -FFFF_FFFFh) of the PCI Memory Address Range is reserved for System BIOS (High BIOS), extended BIOS for PCI devices, and the A20 alias of the system BIOS. The CPU begins execution from the High BIOS after reset. This region is mapped to DMI Interface so that the upper subset of this region aliases to 16 MB-256 KB range. The actual address space required for the BIOS is less than 2 MB but the minimum CPU MTRR range for this region is 2 MB so that full 2 MB must be considered.

1.2.4 Main Memory Address Space (4 GB to TOUUD)

The processor supports 36-bit addressing.

The maximum main memory size supported is 8 GB total DRAM memory. A hole between TOLUD and 4 GB occurs when main memory size approaches 4 GB or larger. As a result, TOM, and TOUUD registers and RECLAIMBASE/RECLAIMLIMIT registers become relevant.

The new reclaim configuration registers exist to reclaim lost main memory space. The greater than 32 bit reclaim handling will be handled similar to previous MCHs.

Upstream read and write accesses above 36-bit addressing will be treated as invalid cycles by DMI.

Top of Memory

The "Top of Memory" (TOM) register reflects the total amount of populated physical memory. This is NOT necessarily the highest main memory address (holes may exist in main memory address map due to addresses allocated for memory mapped IO above TOM).

The Top of Upper Usable Dram (TOUUD) register reflects the total amount of addressable DRAM. If reclaim is disabled, TOUUD will reflect TOM. If reclaim is enabled, then it will reflect the reclaim limit. In addition, the reclaim base will be the same as TOM.



TOLUD register is restricted to 4 GB memory (A[31:20]), but processor can support up to 8GB, limited by DRAM pins. For physical memory greater than 4 GB, the TOUUD register helps identify the address range in between the 4 GB boundary and the top of physical memory. This identifies memory that can be directly accessed (including reclaim address calculation) which is useful for memory access indication, early path indication, and trusted read indication. When reclaim is enabled, TOLUD must be 64MB aligned, but when reclaim is disabled, TOLUD can be 1 MB aligned.

The Reclaim Base/Limit registers cannot be used directly to determine the effective size of memory because reclaim can be disabled.

1.2.4.1 Memory Re-claim Background

The following are examples of Memory Mapped IO devices are typically located below 4 GB:

- High BIOS
- H-Seg
- T-Seg
- GFX stolen
- GTT stolen
- xAPIC
- Local APIC
- Memory Mapped IO space that supports only 32B addressing

The IMC provides the capability to reclaim the physical memory overlapped by the Memory Mapped IO logical address space. The IMC remaps physical memory from the Top of Low Memory (TOLUD) boundary up to the 4 GB boundary to an equivalent sized logical address range located just above the top of memory (TOM).

1.2.4.2 Memory Reclaiming

An incoming address (referred to as a logical address) is checked to see if it falls in the memory remap window. The bottom of the remap window is defined by the value in the RECLAIMBASE register. The top of the remap window is defined by the value in the RECLAIMLIMIT register. An address that falls within this window is reclaimed to the physical memory starting at the address defined by the TOLUD register. The TOLUD register must be 64M aligned when RECLAIM is enabled, but can be 1M aligned when reclaim is disabled.

1.2.5 PCI Express Configuration Address Space

There is a device 0 register, PCIEXBAR, which defines the base address for the configuration space associated with all devices and functions that are potentially a part of the PCI Express root complex hierarchy. The size of this range will be programmable for the processor. BIOS must assign this address range such that it will not conflict with any other address ranges.

See the configuration portion of this document for more details.



1.2.6 Graphics Memory Address Ranges

The processor can be programmed to direct memory accesses to IGD when addresses are within any of five ranges specified via registers in processor's Device #2 configuration space.

Note: The Memory Map Base Register (MMADR) is used to access graphics control registers. The Graphics Memory Aperture Base Register (GMADR) is used to access graphics memory allocated via the graphics translation table.

These ranges can reside above the Top-of-Low-DRAM and below High BIOS and APIC address ranges. They **MUST** reside above the top of memory (TOLUD) and below 4 GB so they do not steal any physical DRAM memory space.

GMADR is a Prefetchable range in order to apply USWC attribute (from the processor point of view) to that range. The USWC attribute is used by the processor for write combining.

1.2.7 System Management Mode (SMM)

System Management Mode uses main memory for System Management RAM (SMM RAM). The IMC supports: Compatible SMRAM (C_SMRAM), High Segment (HSEG), and Top of Memory Segment (TSEG). System Management RAM space provides a memory area that is available for the SMI handlers and code and data storage. This memory resource is normally hidden from the system OS so that the processor has immediate access to this memory space upon entry to SMM. IMC provides three SMRAM options:

- Below 1 MB option that supports compatible SMI handlers.
- Above 1 MB option that allows new SMI handlers to execute with write-back cacheable SMRAM.
- Optional TSEG area of 1 MB, 2 MB, or 8 MB in size. The TSEG area lies below IGD stolen memory.

The above 1 MB solutions require changes to compatible SMRAM handlers code to properly execute above 1 MB.

Note: DMI Interface is not allowed to access the SMM space.

1.2.7.1 SMM Space Definition

SMM space is defined by its addressed SMM space and its DRAM SMM space. The addressed SMM space is defined as the range of bus addresses used by the CPU to access SMM space. DRAM SMM space is defined as the range of physical DRAM memory locations containing the SMM code. SMM space can be accessed at one of three transaction address ranges: Compatible, High and TSEG. The Compatible and TSEG SMM space is not remapped and therefore the addressed and DRAM SMM space is the same address range. Since the High SMM space is remapped the addressed and DRAM SMM space is a different address range. Note that the High DRAM space is the same as the Compatible Transaction Address space. The table below describes three unique address ranges:



Compatible Transaction Address (Adr C)

High Transaction Address (Adr H)

TSEG Transaction Address (Adr T)

These abbreviations are used later in the table describing SMM Space Transaction Handling.

SMM Space Enabled	Transaction Address Space	DRAM Space (DRAM)
Compatible (C)	000A_0000h to 000B_FFFFh	000A_0000h to 000B_FFFFh
High (H)	FEDA_0000h to FEDB_FFFFh	000A_0000h to 000B_FFFFh
TSEG (T)	(TOLUD-STOLEN-TSEG) to TOLUD-STOLEN	(TOLUD-STOLEN-TSEG) to TOLUD-STOLEN

1.2.7.2 SMM Space Restrictions

If any of the following conditions are violated the results of SMM accesses are unpredictable and may cause the system to hang:

Note: The Compatible SMM space **must not** be set-up as cacheable.

High or TSEG SMM transaction address space **must not** overlap address space assigned to system DRAM, or to any “PCI” devices (including DMI Interface, PCI-Express, and graphics devices). This is a BIOS responsibility.

Both D_OPEN and D_CLOSE **must not** be set to 1 at the same time.

When TSEG SMM space is enabled, the TSEG space **must not** be reported to the OS as available DRAM. This is a BIOS responsibility.

Any address translated through the GMADR TLB must not target DRAM from A_0000-F_FFFF.

1.2.7.3 SMM Space Combinations

When High SMM is enabled (G_SMRAME=1 and H_SMRAM_EN=1) the Compatible SMM space is effectively disabled. CPU originated accesses to the Compatible SMM space are forwarded to the DMI Interface. DMI Interface originated accesses are **never** allowed to access SMM space.

Table 1-5. SMM Space Table

Global Enable G_SMRAME	High Enable H_SMRAM_EN	TSEG Enable TSEG_EN	Compatible (C) Range	High (H) Range	TSEG (T) Range
0	X	X	Disable	Disable	Disable
1	0	0	Enable	Disable	Disable
1	0	1	Enable	Disable	Enable
1	1	0	Disabled	Enable	Disable



Global Enable G_SMFRAME	High Enable H_SMFRAME_EN	TSEG Enable TSEG_EN	Compatible (C) Range	High (H) Range	TSEG (T) Range
1	1	1	Disabled	Enable	Enable

1.2.7.4 SMM Control Combinations

The G_SMFRAME bit provides a global enable for all SMM memory. The D_OPEN bit allows software to write to the SMM ranges without being in SMM mode. BIOS software can use this bit to initialize SMM code at power up. The D_LCK bit limits the SMM range access to only SMM mode accesses. The D_CLS bit causes SMM data accesses to be forwarded to the DMI Interface. The SMM software can use this bit to write to video memory while running SMM code out of DRAM.

Table 1-6. SMM Control Table

G_SMFRAME	D_LCK	D_CLS	D_OPEN	CPU in SMM Mode	SMM Code Access	SMM Data Access
0	x	X	x	x	Disable	Disable
1	0	X	0	0	Disable	Disable
1	0	0	0	1	Enable	Enable
1	0	0	1	x	Enable	Enable
1	0	1	0	1	Enable	Disable
1	0	1	1	x	Invalid	Invalid
1	1	X	x	0	Disable	Disable
1	1	0	x	1	Enable	Enable
1	1	1	x	1	Enable	Disable

1.2.7.5 SMM Space Decode and Transaction Handling

Only the CPU is allowed to access SMM space. DMI Interface originated transactions are not allowed to SMM space. The following tables indicate the action taken by the IMC when the accesses to the various enabled SMM space occurs.

1.

1.2.7.6 CPU WB Transaction to an Enabled SMM Address Space

CPU Writeback transactions (REQa[1]# = 0) to enabled SMM Address Space must be written to the associated SMM DRAM even though D_OPEN=0 and the transaction is not performed in SMM mode. This ensures SMM space cache coherency when cacheable extended SMM space is used.

1.2.7.7 SMM Access through GTT TLB

Accesses through GTT TLB address translation to enabled SMM DRAM space are not allowed. Writes will be routed to Memory address 000C_0000h with byte enables de-asserted and reads will be routed to Memory address 000C_0000h. If a GTT TLB



translated address hits enabled SMM DRAM space, an error is recorded in the PGTBL_ER register.

DMI Interface originated accesses are **never** allowed to access SMM space directly or through the GTT TLB address translation. If a GTT TLB translated address hits enabled SMM DRAM space, an error is recorded in the PGTBL_ER register.

DMI Interface write accesses through GMADR range will be snooped. Accesses to GMADR linear range (defined via fence registers) are supported. DMI Interface tileY and tileX writes to GMADR are not supported. If, when translated, the resulting physical address is to be enabled SMM DRAM space, the request will be remapped to address 000C_0000h with deasserted byte enables.

DMI Interface read accesses to the GMADR range are not supported therefore will have no address translation concerns. DMI Interface reads to GMADR will be remapped to address 000C_0000h. The read will complete with UR (unsupported request) completion status.

GTT fetches are always decoded (at fetch time) to ensure not in SMM (actually, anything above base of TSEG or 640K-1M). Thus, they will be invalid and go to address 000C_0000h, but that isn't specific to DMI; it applies to CPU or internal graphics engines. In addition, since the GMADR snoop would not be directly to the SMM space, there wouldn't be a writeback to SMM. In fact, the writeback would also be invalid (because it uses the same translation) and go to address 000C_0000h..

1.2.8 Memory Shadowing

Any block of memory that can be designated as read-only or write-only can be "shadowed" into IMC DRAM memory. Typically this is done to allow ROM code to execute more rapidly out of main DRAM. ROM is used as a read-only during the copy process while DRAM at the same time is designated write-only. After copying, the DRAM is designated read-only so that ROM is shadowed. CPU bus transactions are routed accordingly.

1.2.9 I/O Address Space

The processor does not support the existence of any other I/O devices beside itself on the CPU bus. The processor generates DMI Interface bus cycles for all CPU I/O accesses that it does not claim. Within the host bridge, the processor contains two internal registers in the CPU I/O space, Configuration Address Register (CONFIG_ADDRESS) and the Configuration Data Register (CONFIG_DATA). These locations are used to implement configuration space access mechanism.

The CPU allows 64K+3 bytes to be addressed within the I/O space. The processor propagates the CPU I/O address without any translation on to the destination bus and therefore provides addressability for 64K+3 byte locations. Note that the upper 3 locations can be accessed only during I/O address wrap-around when CPU bus HA_16 address signal is asserted. HA_16 is asserted on the CPU bus whenever an I/O access is made to 4 bytes from address 0FFFDh, 0FFFEh, or 0FFFFh. HA_16 is also asserted when an I/O access is made to 2 bytes from address 0FFFFh.



A set of I/O accesses (other than ones used for configuration space access) are consumed by the internal graphics device if it is enabled. The mechanisms for internal graphics IO decode and the associated control is explained later.

The I/O accesses (other than ones used for configuration space access) are forwarded normally to the DMI Interface bus. I/O writes are NOT posted. Memory writes to PCH are posted.

The processor responds to I/O cycles initiated on DMI with an UR status. Upstream I/O cycles and configuration cycles should never occur. If one does occur, the request will route as a read to Memory address 000C_0000h so a completion is naturally generated (whether the original request was a read or write). The transaction will complete with an UR completion status.

For IA-based processors, I/O reads that lie within 8-byte boundaries but cross 4-byte boundaries are issued from the CPU as 1 transaction. The processor will break this into 2 separate transactions. I/O writes that lie within 8-byte boundaries but cross 4-byte boundaries are assumed to be split into 2 transactions by the CPU.

1.2.10 Memory Controller Decode Rules and Cross-Bridge Address Mapping

VGAA = 000A_0000 – 000A_FFFF
MDA = 000B_0000 – 000B_7FFF
VGAB = 000B_8000 – 000B_FFFF

MAINMEM = 0100_0000 to TOLUD

HIGHMEM = 4 GB to TOM

RECLAIMMEM = RECLAIMBASE to RECLAIMLIMIT

1.2.10.1 Legacy VGA and I/O Range Decode Rules

The legacy 128KB VGA memory range 000A_0000h-000B_FFFFh can be mapped to IGD (Device #2), and/or to the DMI Interface depending on the programming of the VGA steering bits. Priority for VGA mapping is constant in that the processor always decodes internally mapped devices first. Internal to the processor, decode precedence is always given to IGD. The processor always positively decodes internally mapped devices, namely the IGD. Subsequent decoding of regions mapped to the DMI Interface depends on the Legacy VGA configurations bits (VGA Enable).

1.3 Processor Register Introduction

The CPU internal registers (I/O Mapped, Configuration, and PCI Express Extended Configuration registers) are accessible by the Host CPU. The registers that reside within the lower 256 bytes of each device can be accessed as Byte, Word (16-bit), or Dword (32-bit) quantities, with the exception of CONFIG_ADDRESS which can only be accessed as a Dword. All multi-byte numeric fields use "little-endian" ordering (i.e., lower addresses contain the least significant parts of the field). Registers which reside in bytes 256 through 4095 of each device may only be accessed using memory mapped transactions in Dword (32-bit) quantities.



Some of the CPU registers described in this section contain reserved bits. These bits are labeled "Reserved". Software must deal correctly with fields that are reserved. On reads, software must use appropriate masks to extract the defined bits and not rely on reserved bits being any particular value. On writes, software must ensure that the values of reserved bit positions are preserved. That is, the values of reserved bit positions must first be read, merged with the new values for other bit positions and then written back. Note the software does not need to perform read, merge, write operation for the configuration address register.

In addition to reserved bits within a register, CPU contains address locations in the configuration space of the Host Bridge entity that are marked either "Reserved" or "Intel Reserved". The CPU responds to accesses to "Reserved" address locations by completing the host cycle. When a "Reserved" register location is read, a zero value is returned. ("Reserved" registers can be 8-, 16-, or 32-bit in size). Writes to "Reserved" registers have no effect on the CPU. Registers that are marked as "Intel Reserved" must not be modified by system software. Writes to "Intel Reserved" registers may cause system failure. Reads to "Intel Reserved" registers may return a non-zero value.

Upon a Full Reset, CPU sets all of its internal configuration registers to predetermined default states. Some register values at reset are determined by external strapping options, or the states of poly-silicon fuses. The default state represents the minimum functionality feature set required to successfully bring up the system. Hence, it does not represent the optimal system configuration. It is the responsibility of the system initialization software (usually BIOS) to properly determine the DRAM configurations, operating parameters and optional system features that are applicable, and to program the CPU registers accordingly.

1.4 I/O Mapped Registers

The processor contains two registers that reside in the processor I/O address space – the Configuration Address (CONFIG_ADDRESS) Register and the Configuration Data (CONFIG_DATA) Register. The Configuration Address Register enables/disables the configuration space and determines what portion of configuration space is visible through the Configuration Data window.



1.5 PCI Device 0

The CPU/DMI controller registers are in Device 0 (D0), Function 0 (F0).

Warning: Address locations that are not listed are considered Intel Reserved registers locations. Reads to Reserved registers may return non-zero values. Writes to reserved locations may cause system failures.

All registers that are defined in the latest *PCI Local Bus Specification*, but are not necessary or implemented in this component are simply not included in this document. The reserved/unimplemented space in the PCI configuration header space is not documented as such in this summary.

Table 1-7. Device 0 Function 0 Register Summary

Register Name	Register Symbol	Register Start	Register End	Default Value	Access
Vendor Identification	VID	0	1	8086h	RO;
Device Identification	DID	2	3	A000h	RO;
PCI Command	PCICMD	4	5	0006h	RO; RW;
PCI Status	PCISTS	6	7	0090h	RWC; RO;
Revision Identification	RID	8	8	02h	RO;
Class Code	CC	9	B	060000h	RO;
Master Latency Timer	MLT	D	D	00h	RO;
Header Type	HDR	E	E	00h	RO;
Subsystem Vendor Identification	SVID	2C	2D	0000h	RWO;
Subsystem Identification	SID	2E	2F	0000h	RWO;
Capabilities Pointer	CAPPTR	34	34	E0h	RO;
PCI Express Egress Port Base Address	PXPEPBAR	40	47	000000000000 0000h	RW/L; RO;
GMCH Memory Mapped Register Range Base	MCHBAR	48	4F	000000000000 0000h	RW/L; RO;
GMCH Graphics Control	GGC	52	53	0030h	RO; RW/L;



Register Name	Register Symbol	Register Start	Register End	Default Value	Access
Register					
Device Enable	DEVEN	54	57	00000019h	RO; RW/L;
PCI Express Register Range Base Address	PCIEXBAR	60	67	00000000E0000000h	RW/L; RW/L/K; RO;
Root Complex Register Range Base Address	DMIBAR	68	6F	0000000000000000h	RW/L; RO;
Programmable Attribute Map 0	PAM0	90	90	00h	RO; RW/L;
Programmable Attribute Map 1	PAM1	91	91	00h	RO; RW/L;
Programmable Attribute Map 2	PAM2	92	92	00h	RO; RW/L;
Programmable Attribute Map 3	PAM3	93	93	00h	RO; RW/L;
Programmable Attribute Map 4	PAM4	94	94	00h	RO; RW/L;
Programmable Attribute Map 5	PAM5	95	95	00h	RO; RW/L;
Programmable Attribute Map 6	PAM6	96	96	00h	RO; RW/L;
Legacy Access Control	LAC	97	97	00h	RW/L; RO;
Remap Base Address Register	REMAPBASE	98	99	03FFh	RO; RW/L;
Remap Limit Address Register	REMAPLIMIT	9A	9B	0000h	RO; RW/L;
System Management RAM Control	SMRAM	9D	9D	02h	RO; RW/L; RW; RW/L/K;
Extended System Management RAM Control	ESMRAMC	9E	9E	38h	RW/L; RWC; RO;
Top of Memory	TOM	A0	A1	0001h	RO; RW/L;



Register Name	Register Symbol	Register Start	Register End	Default Value	Access
Top of Upper Usable Dram	TOUUD	A2	A3	0000h	RW/L;
Graphics Base of Stolen Memory	GBSM	A4	A7	00000000h	RO; RW/L;
Base of GTT stolen Memory	BGSM	A8	AB	00000000h	RO; RW/L;
TSEG Memory Base	TSEGMB	AC	AF	00000000h	RW/L; RO;
Top of Low Usable DRAM	TOLUD	B0	B1	0010h	RW/L; RO;
Error Status	ERRSTS	C8	C9	0000h	RO; RWC/S;
Error Command	ERRCMD	CA	CB	0000h	RO; RW;
SMI Command	SMICMD	CC	CD	0000h	RO; RW;
Scratchpad Data	SKPD	DC	DF	00000000h	RW;
Capability Identifier	CAPIDO	E0	E7	000000001080009h	RO;

1.5.1 VID - Vendor Identification

B/D/F/Type: 0/0/0/PCI
 Address Offset: 0-1h
 Default Value: 8086h
 Access: RO;
 Size: 16 bits

This register combined with the Device Identification register uniquely identifies any PCI device.

Bit	Access	Default Value	RST/P WR	Description
15:0	RO	8086h	Core	Vendor Identification Number (VID): PCI standard identification for Intel.



1.5.2 DID - Device Identification

B/D/F/Type: 0/0/0/PCI
 Address Offset: 2-3h
 Default Value: A000h
 Access: RO;
 Size: 16 bits

This register combined with the Vendor Identification register uniquely identifies any PCI device.

Bit	Access	Default Value	RST/PWR	Description
15:0	RO	A000h	Core	Device Identification Number (DID): Identifier assigned to the CPU Uncore core/primary PCI device. The device IDs for PNV family are: A00X: Intel® Atom™ Processor D400 and D500 Series for DT A01X: Intel® Atom™ Processor N400 Series for MB

1.5.3 PCICMD - PCI Command

B/D/F/Type: 0/0/0/PCI
 Address Offset: 4-5h
 Default Value: 0006h
 Access: RO; RW;
 Size: 16 bits

Since CPU Uncore Device #0 does not physically reside on PCI_A, many of the bits are not implemented.

Bit	Access	Default Value	RST/PWR	Description
15:10	RO	00h	Core	Reserved ():
9	RO	0b	Core	Fast Back-to-Back Enable (FB2B): This bit controls whether or not the master can do fast back-to-back write. Since device 0 is strictly a target this bit is not implemented and is hardwired to 0. Writes to this bit position have no effect.
8	RW	0b	Core	SERR Enable (SERRE): This bit is a global enable bit for Device 0 SERR messaging. The CPU Uncore does not have an SERR signal. The CPU Uncore communicates the SERR condition by sending an SERR message over DMI to the SouthBridge. 1: The CPU Uncore is enabled to generate SERR messages over DMI for specific Device 0 error conditions that are individually enabled in the ERRCMD and DMIUEMSK



Bit	Access	Default Value	RST/ PWR	Description
				<p>registers. The error status is reported in the ERRSTS, PCISTS, and DMIUEST registers.</p> <p>0: The SERR message is not generated by the CPU Uncore for Device 0.</p> <p>Note that this bit only controls SERR messaging for the Device 0. The control bits are used in a logical OR manner to enable the SERR DMI message mechanism.</p>
7	RO	0b	Core	<p>Address/Data Stepping Enable (ADSTEP):</p> <p>Address/data stepping is not implemented in the CPU Uncore, and this bit is hardwired to 0. Writes to this bit position have no effect.</p>
6	RW	0b	Core	<p>Parity Error Enable (PERRE):</p> <p>Controls whether or not the Master Data Parity Error bit in the PCI Status register can be set.</p> <p>0: Master Data Parity Error bit in PCI Status register can NOT be set.</p> <p>1: Master Data Parity Error bit in PCI Status register CAN be set.</p>
5	RO	0b	Core	<p>VGA Palette Snoop Enable (VGASNOOP):</p> <p>The CPU Uncore does not implement this bit and it is hardwired to a 0. Writes to this bit position have no effect.</p>
4	RO	0b	Core	<p>Memory Write and Invalidate Enable (MWIE):</p> <p>The CPU Uncore will never issue memory write and invalidate commands. This bit is therefore hardwired to 0. Writes to this bit position will have no effect.</p>
3	RO	0b	Core	<p>Special Cycle Enable (SCE):</p> <p>The CPU Uncore does not implement this bit and it is hardwired to a 0. Writes to this bit position have no effect.</p>
2	RO	1b	Core	<p>Bus Master Enable (BME):</p> <p>The CPU Uncore is always enabled as a master on the backbone. This bit is hardwired to a "1". Writes to this bit position have no effect.</p>
1	RO	1b	Core	<p>Memory Access Enable (MAE):</p> <p>The CPU Uncore always allows access to main memory. This bit is not implemented and is hardwired to 1. Writes to this bit position have no effect.</p>



Bit	Access	Default Value	RST/PWR	Description
0	RO	0b	Core	I/O Access Enable (IOAE): This bit is not implemented in the CPU Uncore and is hardwired to a 0. Writes to this bit position have no effect.

1.5.4 PCISTS - PCI Status

B/D/F/Type: 0/0/0/PCI
 Address Offset: 6-7h
 Default Value: 0090h
 Access: RWC; RO;
 Size: 16 bits

This status register reports the occurrence of error events on Device 0's PCI interface. Since the CPU Uncore Device 0 does not physically reside on PCI_A many of the bits are not implemented.

Bit	Access	Default Value	RST/PWR	Description
15	RWC	0b	Core	Detected Parity Error (DPE): This bit is set when this Device receives a Poisoned TLP.
14	RWC	0b	Core	Signaled System Error (SSE): This bit is set to 1 when the CPU Uncore Device 0 generates an SERR message over DMI for any enabled Device 0 error condition. Device 0 error conditions are enabled in the PCICMD, ERRCMD, and DMIUEMSK registers. Device 0 error flags are read/reset from the PCISTS, ERRSTS, or DMIUEST registers. Software clears this bit by writing a 1 to it.
13	RWC	0b	Core	Received Master Abort Status (RMAS): This bit is set when the CPU Uncore generates a DMI request that receives an Unsupported Request completion packet. Software clears this bit by writing a 1 to it.
12	RWC	0b	Core	Received Target Abort Status (RTAS): This bit is set when the CPU Uncore generates a DMI request that receives a Completer Abort completion packet. Software clears this bit by writing a 1 to it.
11	RO	0b	Core	Signaled Target Abort Status (STAS): The CPU Uncore will not generate a Target Abort DMI completion packet or Special Cycle. This bit is not implemented in the CPU Uncore and is hardwired to a 0. Writes to this bit position have no effect.



Bit	Access	Default Value	RST/ PWR	Description
10:9	RO	00b	Core	DEVSEL Timing (DEVT): These bits are hardwired to "00". Writes to these bit positions have no effect. Device 0 does not physically connect to PCI_A. These bits are set to "00" (fast decode) so that optimum DEVSEL timing for PCI_A is not limited by the CPU Uncore.
8	RWC	0b	Core	Master Data Parity Error Detected (DPD): This bit is set when DMI received a Poisoned completion from SouthBridge. This bit can only be set when the Parity Error Enable bit in the PCI Command register is set.
7	RO	1b	Core	Fast Back-to-Back (FB2B): This bit is hardwired to 1. Writes to these bit positions have no effect. Device 0 does not physically connect to PCI_A. This bit is set to 1 (indicating fast back-to-back capability) so that the optimum setting for PCI_A is not limited by the CPU Uncore.
6	RO	0b	Core	Reserved ():
5	RO	0b	Core	66 MHz Capable (): Does not apply to PCI Express. Must be hardwired to 0.
4	RO	1b	Core	Capability List (CLIST): This bit is hardwired to 1 to indicate to the configuration software that this device/function implements a list of new capabilities. A list of new capabilities is accessed via register CAPPTR at configuration address offset 34h. Register CAPPTR contains an offset pointing to the start address within configuration space of this device where the Capability Identification register resides.
3	RO	0b	Core	Reserved ():
2:0	RO	000b	Core	Reserved ():



1.5.5 RID - Revision Identification

B/D/F/Type: 0/0/0/PCI
 Address Offset: 8h
 Default Value: 02h
 Access: RO;
 Size: 8 bits

This register contains the revision number of the CPU Uncore Device #0. These bits are read only and writes to this register have no effect.

Bit	Access	Default Value	RST/PWR	Description
7:0	RO	02h	Core	Revision Identification Number (RID): This is an 8-bit value that indicates the revision identification number for the CPU Uncore Device 0. For the A-0 Stepping, this value is 00h. 00h: A-0 01h: A-1 02h: B-0

1.5.6 CC - Class Code

B/D/F/Type: 0/0/0/PCI
 Address Offset: 9-Bh
 Default Value: 060000h
 Access: RO;
 Size: 24 bits

This register identifies the basic function of the device, a more specific sub-class, and a register-specific programming interface.

Bit	Access	Default Value	RST/PWR	Description
23:16	RO	06h	Core	Base Class Code (BCC): This is an 8-bit value that indicates the base class code for the CPU Uncore. This code has the value 06h, indicating a Bridge device.
15:8	RO	00h	Core	Sub-Class Code (SUBCC): This is an 8-bit value that indicates the category of Bridge into which the CPU Uncore falls. The code is 00h indicating a Host Bridge.
7:0	RO	00h	Core	Programming Interface (PI): This is an 8-bit value that indicates the programming interface of this device. This value does not specify a particular register set layout and provides no practical use for this device.



1.5.7 MLT - Master Latency Timer

B/D/F/Type: 0/0/0/PCI
 Address Offset: Dh
 Default Value: 00h
 Access: RO;
 Size: 8 bits

Device #0 in the CPU Uncore is not a PCI master. Therefore this register is not implemented.

Bit	Access	Default Value	RST/PWR	Description
7:0	RO	00h	Core	Reserved ():

1.5.8 HDR - Header Type

B/D/F/Type: 0/0/0/PCI
 Address Offset: Eh
 Default Value: 00h
 Access: RO;
 Size: 8 bits

This register identifies the header layout of the configuration space. No physical register exists at this location.

Bit	Access	Default Value	RST/PWR	Description
7:0	RO	00h	Core	PCI Header (HDR): This field always returns 0 to indicate that the CPU Uncore is a single function device with standard header layout. Reads and writes to this location have no effect.

1.5.9 SVID - Subsystem Vendor Identification

B/D/F/Type: 0/0/0/PCI
 Address Offset: 2C-2Dh
 Default Value: 0000h
 Access: RWO;
 Size: 16 bits

This value is used to identify the vendor of the subsystem.

Bit	Access	Default Value	RST/PWR	Description
15:0	RWO	0000h	Core	Subsystem Vendor ID (SUBVID): This field should be programmed during boot-up to indicate the vendor of the system board. After it has been written once, it becomes read only.



1.5.10 SID - Subsystem Identification

B/D/F/Type: 0/0/0/PCI
 Address Offset: 2E-2Fh
 Default Value: 0000h
 Access: RWO;
 Size: 16 bits

This value is used to identify a particular subsystem.

Bit	Access	Default Value	RST/PWR	Description
15:0	RWO	0000h	Core	Subsystem ID (SUBID): This field should be programmed during BIOS initialization. After it has been written once, it becomes read only.

1.5.11 CAPPTR - Capabilities Pointer

B/D/F/Type: 0/0/0/PCI
 Address Offset: 34h
 Default Value: E0h
 Access: RO;
 Size: 8 bits

The CAPPTR provides the offset that is the pointer to the location of the first device capability in the capability list.

Bit	Access	Default Value	RST/PWR	Description
7:0	RO	E0h	Core	Capabilities Pointer (CAPPTR): Pointer to the offset of the first capability ID register block. In this case the first capability is the product-specific Capability Identifier (CAPID0).

1.5.12 PXPEPBAR - PCI Express Egress Port Base Address

B/D/F/Type: 0/0/0/PCI
 Address Offset: 40-47h
 Default Value: 0000000000000000h
 Access: RW/L; RO;
 Size: 64 bits

This is the base address for the PCI Express Egress Port MMIO Configuration space. There is no physical memory within this 4KB window that can be addressed. The 4KB reserved by this register does not alias to any PCI 2.3 compliant memory mapped space. On reset, the EGRESS port MMIO configuration space is disabled and must be enabled by writing a 1 to PXPEPBAREN [Dev 0, offset 40h, bit 0].



Bit	Access	Default Value	RST/PWR	Description
63:36	RO	0000000h	Core	Reserved (Reserved)
35:12	RW/L	000000h	Core	PCI Express Egress Port MMIO Base Address (PXPEPBAR): This field corresponds to bits 35 to 12 of the base address PCI Express Egress Port MMIO configuration space. BIOS will program this register resulting in a base address for a 4KB block of contiguous memory address space. This register ensures that a naturally aligned 4 KB space is allocated within the first 64 GB of addressable memory space. System Software uses this base address to program the CPU Uncore MMIO register set.
11:1	RO	000h	Core	Reserved (0)
0	RW/L	0b	Core	PXPEPBAR Enable (PXPEPBAREN): 0: PXPEPBAR is disabled and does not claim any memory 1: PXPEPBAR memory mapped accesses are claimed and decoded appropriately

1.5.13 MCHBAR - GMCH Memory Mapped Register Range Base

B/D/F/Type: 0/0/0/PCI
 Address Offset: 48-4Fh
 Default Value: 0000000000000000h
 Access: RW/L; RO;
 Size: 64 bits

This is the base address for the CPU Uncore Memory Mapped Configuration space. There is no physical memory within this 16KB window that can be addressed. The 16KB reserved by this register does not alias to any PCI 2.3 compliant memory mapped space. On reset, the CPU Uncore MMIO Memory Mapped Configuration space is disabled and must be enabled by writing a 1 to MCHBAREN [Dev 0, offset48h, bit 0]

The register space contains memory control, initialization, timing, and buffer strength registers; clocking registers; and power and thermal management registers.

Bit	Access	Default Value	RST/PWR	Description
63:36	RO	0000000h	Core	Reserved (Reserved):
35:14	RW/L	000000h	Core	GMCH Memory Mapped Base Address (MCHBAR): This field corresponds to bits 35 to 14 of the base address GMCH Memory Mapped configuration space. BIOS will program this register resulting in a base address for a 16KB block of contiguous memory address space. This register ensures that a naturally aligned 16KB space is allocated. System Software uses this base address to program the GMCH Memory Mapped register set.



Bit	Access	Default Value	RST/PWR	Description
13:1	RO	0000h	Core	Reserved (0):
0	RW/L	0b	Core	MCHBAR Enable (MCHBAREN): 0: MCHBAR is disabled and does not claim any memory 1: MCHBAR memory mapped accesses are claimed and decoded appropriately

1.5.14 GGC - GMCH Graphics Control Register

B/D/F/Type: 0/0/0/PCI
 Address Offset: 52-53h
 Default Value: 0030h
 Access: RO; RW/L;
 Size: 16 bits

Bit	Access	Default Value	RST/PWR	Description
15:10	RO	00h	Core	Reserved (0):
9:8	RW/L	0h	Core	GTT Graphics Memory Size (GGMS): This field is used to select the amount of Main Memory that is pre-allocated to support the Internal Graphics Translation Table. The BIOS ensures that memory is pre-allocated only when Internal graphics is enabled. 00: No memory pre-allocated. GTT cycles (Mem and IO) are not claimed. 01: MB of memory pre-allocated for GTT. 10: Reserved 11: Reserved Note: This register is locked and becomes Read Only when the D_LCK bit in the SMRAM register is set.
7:4	RW/L	0011b	Core	Graphics Mode Select (GMS): This field is used to select the amount of Main Memory that is pre-allocated to support the Internal Graphics device in VGA (non-linear) and Native (linear) modes. The BIOS ensures that memory is pre-allocated only when Internal graphics is enabled. 0000: No memory pre-allocated. Device 2 (IGD) does not claim VGA cycles (Mem and IO), and the Sub-Class Code field within Device 2 function 0 Class Code register is 80. 0001: DVMT (UMA) mode, 1 MB of memory pre-allocated for frame buffer. 0011: DVMT (UMA) mode, 8 MB of memory pre-allocated for frame buffer.



Bit	Access	Default Value	RST/ PWR	Description
				<p>NOTE: This register is locked and becomes Read Only when the D_LCK bit in the SMRAM register is set.</p> <p>BIOS Requirement: BIOS must not set this field to 000 if IVD (bit 1 of this register) is 0.</p>
3:2	RO	00b	Core	Reserved (0)
1	RW/L	0b	Core	<p>IGD VGA Disable (IVD):</p> <p>0: Enable. Device 2 (IGD) claims VGA memory and IO cycles, the Sub-Class Code within Device 2 Class Code register is 00.</p> <p>1: Disable. Device 2 (IGD) does not claim VGA cycles (Mem and IO), and the Sub- Class Code field within Device 2 function 0 Class Code register is 80.</p> <p>BIOS Requirement: BIOS must not set this bit to 0 if the GMS field (bits 6:4 of this register) pre-allocates no memory. This bit MUST be set to 1 if Device 2 is disabled.</p>
0	RO	0b	Core	Reserved (0)



1.5.15 DEVEN - Device Enable

B/D/F/Type: 0/0/0/PCI
 Address Offset: 54-57h
 Default Value: 00000019h
 Access: RO; RW/L;
 Size: 32 bits

Allows for enabling/disabling of PCI devices and functions that are within the CPU Uncore. The table below the bit definitions describes the behavior of all combinations of transactions to devices controlled by this register.

Bit	Access	Default Value	RST/PWR	Description
31:15	RO	00000h	Core	Reserved (0):
14	RW/L	0b	Core	Reserved (0):
13:5	RO	000h	Core	Reserved (0):
4	RW/L	1b	Core	Internal Graphics Engine Function 1 (D2F1EN): 0: Bus 0 Device 2 Function 1 is disabled and hidden 1: Bus 0 Device 2 Function 1 is enabled and visible If Device 2 Function 0 is disabled and hidden, then Device 2 Function 1 is also disabled and hidden independent of the state of this bit. If this component is not capable of Dual Independent Display (CAPID0[40] = 1) then this bit is hardwired to 0b to hide Device 2 Function 1.
3	RW/L	1b	Core	Internal Graphics Engine Function 0 (D2FOEN): 0: Bus 0 Device 2 Function 0 is disabled and hidden 1: Bus 0 Device 2 Function 0 is enabled and visible If this CPU Uncore does not have internal graphics capability (CAPID0[46] = 1) then Device 2 Function 0 is disabled and hidden independent of the state of this bit.
2:1	RO	00b	Core	Reserved (0):
0	RO	1b	Core	Host Bridge (DOEN): Bus 0 Device 0 Function 0 may not be disabled and is therefore hardwired to 1.



1.5.16 PCIEXBAR - PCI Express Register Range Base Address

B/D/F/Type: 0/0/0/PCI
 Address Offset: 60-67h
 Default Value: 00000000E0000000h
 Access: RW/L; RW/L/K; RO;
 Size: 64 bits

This is the base address for the PCI Express configuration space. This window of addresses contains the 4KB of configuration space for each PCI Express device that can potentially be part of the PCI Express Hierarchy associated with the CPU Uncore. There is not actual physical memory within this window of up to 256MB that can be addressed. The actual length is determined by a field in this register. Each PCI Express Hierarchy requires a PCI Express BASE register. The CPU Uncore supports one PCI Express hierarchy. The region reserved by this register does not alias to any PCI 2.3 compliant memory mapped space. For example MCHBAR reserves a 16KB space and CHAPADR reserves a 4KB space both outside of PCIEXBAR space. They cannot be overlaid on the space reserved by PCIEXBAR for devices 0 and 7 respectively.

On reset, this register is disabled and must be enabled by writing a 1 to the enable field in this register. This base address shall be assigned on a boundary consistent with the number of buses (defined by the Length field in this register), above TOLUD and still within 64 bit addressable memory space. All other bits not decoded are read only 0. The PCI Express Base Address cannot be less than the maximum address written to the Top of physical memory register (TOLUD). Software must guarantee that these ranges do not overlap with known ranges located above TOLUD. Software must ensure that the sum of Length of enhanced configuration region + TOLUD + (other known ranges reserved above TOLUD) is not greater than the 64-bit addressable limit of 64GB. In general system implementation and number of PCI/PCI express/PCI-X buses supported in the hierarchy will dictate the length of the region.

Bit	Access	Default Value	RST/PWR	Description
63:36	RO	0000000h	Core	Reserved (PCIEXBAR_rsv):
35:28	RW/L	0Eh	Core	<p>PCI Express Base Address (PCIEXBAR): This field corresponds to bits 35 to 28 of the base address for PCI Express enhanced configuration space. BIOS will program this register resulting in a base address for a contiguous memory address space; size is defined by bits 2:1 of this register.</p> <p>This Base address shall be assigned on a boundary consistent with the number of buses (defined by the Length field in this register) above TOLUD and still within 64-bit addressable memory space. The address bits decoded depend on the length of the region defined by this register.</p> <p>The address used to access the PCI Express configuration space for a specific device can be determined as follows.</p> <p>PCI Express Base Address + Bus Number * 1MB + Device Number * 32KB + Function Number * 4KB</p>



Bit	Access	Default Value	RST/PWR	Description
27	RW/L	0b	Core	128MB Base Address Mask (128ADMSK): This bit is either part of the PCI Express Base Address (R/W) or part of the Address Mask (RO, read 0b), depending on the value of bits 2:1 in this register.
26	RW/L	0b	Core	64MB Base Address Mask (64ADMSK): This bit is either part of the PCI Express Base Address (R/W) or part of the Address Mask (RO, read 0b), depending on the value of bits 2:1 in this register.
25:3	RO	000000h	Core	Reserved ()
2:1	RW/L/K	00b	Core	Length (LENGTH): This Field describes the length of this region. Enhanced Configuration Space Region/Buses Decoded 00: 256MB (buses 0-255). Bits 31:28 are decoded in the PCI Express Base Address Field 01: 128MB (Buses 0-127). Bits 31:27 are decoded in the PCI Express Base Address Field. 10: 64MB (Buses 0-63). Bits 31:26 are decoded in the PCI Express Base Address Field. 11: Reserved
0	RW/L	0b	Core	PCIEXBAR Enable (PCIEXBAREN): 0: The PCIEXBAR register is disabled. Memory read and write transactions proceed as if there were no PCIEXBAR register. PCIEXBAR bits 35:26 are R/W with no functionality behind them. 1: The PCIEXBAR register is enabled. Memory read and write transactions whose address bits 35:26 match PCIEXBAR will be translated to configuration reads and writes within the CPU Uncore. These Translated cycles are routed as shown in the table above.



1.5.17 DMIBAR - Root Complex Register Range Base Address

B/D/F/Type: 0/0/0/PCI
 Address Offset: 68-6Fh
 Default Value: 0000000000000000h
 Access: RW/L; RO;
 Size: 64 bits

This is the base address for the Root Complex configuration space. This window of addresses contains the Root Complex Register set for the PCI Express Hierarchy associated with the CPU Uncore. There is no physical memory within this 4KB window that can be addressed. The 4KB reserved by this register does not alias to any PCI 2.3 compliant memory mapped space. On reset, the Root Complex configuration space is disabled and must be enabled by writing a 1 to DMIBAREN [Dev 0, offset 68h, bit 0]

Bit	Access	Default Value	RST/PWR	Description
63:36	RO	0000000h	Core	Reserved (DMIBAR_rsv)
35:12	RW/L	000000h	Core	DMI Base Address (DMIBAR): This field corresponds to bits 35 to 12 of the base address DMI configuration space. BIOS will program this register resulting in a base address for a 4KB block of contiguous memory address space. This register ensures that a naturally aligned 4KB space is allocated within the first 64GB of addressable memory space. System Software uses this base address to program the DMI register set.
11:1	RO	000h	Core	Reserved ()
0	RW/L	0b	Core	DMIBAR Enable (DMIBAREN): 0: DMIBAR is disabled and does not claim any memory 1: DMIBAR memory mapped accesses are claimed and decoded appropriately

1.5.18 PAMO - Programmable Attribute Map 0

B/D/F/Type: 0/0/0/PCI
 Address Offset: 90h
 Default Value: 00h
 Access: RO; RW/L;
 Size: 8 bits

This register controls the read, write, and shadowing attributes of the BIOS area from 0F0000h- 0FFFFFh. The CPU Uncore allows programmable memory attributes on 13 Legacy memory segments of various sizes in the 768 KB to 1 MB address range. Seven Programmable Attribute Map (PAM) Registers are used to support these features. Cacheability of these areas is controlled via the MTRR registers in the P6 processor. Two bits are used to specify memory attributes for each memory segment. These bits apply to both host accesses and PCI initiator accesses to the PAM areas. These attributes are:



RE - Read Enable. When RE = 1, the CPU read accesses to the corresponding memory segment are claimed by the CPU Uncore and directed to main memory. Conversely, when RE = 0, the host read accesses are directed to PCI_A.

WE - Write Enable. When WE = 1, the host write accesses to the corresponding memory segment are claimed by the CPU Uncore and directed to main memory. Conversely, when WE = 0, the host write accesses are directed to PCI_A.

The RE and WE attributes permit a memory segment to be Read Only, Write Only, Read/Write, or disabled. For example, if a memory segment has RE = 1 and WE = 0, the segment is Read Only. Each PAM Register controls two regions, typically 16 KB in size.

Note: The CPU Uncore may hang if a PCI Express Graphics Attach or DMI originated access to Read Disabled or Write Disabled PAM segments occur (due to a possible IWB to non-DRAM).

For these reasons the following critical restriction is placed on the programming of the PAM regions: At the time that a DMI or PCI Express Graphics Attach accesses to the PAM region may occur, the targeted PAM segment must be programmed to be both readable and writeable.

Bit	Access	Default Value	RST/ PWR	Description
7:6	RO	00b	Core	Reserved ()
5:4	RW/L	00b	Core	0F0000-0FFFFFF Attribute (HIENABLE): This field controls the steering of read and write cycles that address the BIOS area from 0F0000 to 0FFFFFF. 00: DRAM Disabled: All accesses are directed to DMI. 01: Read Only: All reads are sent to DRAM. All writes are forwarded to DMI. 10: Write Only: All writes are sent to DRAM. Reads are serviced by DMI. 11: Normal DRAM Operation: All reads and writes are serviced by DRAM.
3:0	RO	0h	Core	Reserved ()



1.5.19 PAM1 - Programmable Attribute Map 1

B/D/F/Type: 0/0/0/PCI
 Address Offset: 91h
 Default Value: 00h
 Access: RO; RW/L;
 Size: 8 bits

This register controls the read, write, and shadowing attributes of the BIOS areas from 0C0000h- 0C7FFFh.

Bit	Access	Default Value	RST/PWR	Description
7:6	RO	00b	Core	Reserved ()
5:4	RW/L	00b	Core	0C4000-0C7FFF Attribute (HIENABLE): This field controls the steering of read and write cycles that address the BIOS area from 0C4000 to 0C7FFF. 00: DRAM Disabled: Accesses are directed to DMI. 01: Read Only: All reads are serviced by DRAM. All writes are forwarded to DMI. 10: Write Only: All writes are sent to DRAM. Reads are serviced by DMI. 11: Normal DRAM Operation: All reads and writes are serviced by DRAM.
3:2	RO	00b	Core	Reserved ()
1:0	RW/L	00b	Core	0C0000-0C3FFF Attribute (LOENABLE): This field controls the steering of read and write cycles that address the BIOS area from 0C0000 to 0C3FFF. 00: DRAM Disabled: Accesses are directed to DMI. 01: Read Only: All reads are serviced by DRAM. All writes are forwarded to DMI. 10: Write Only: All writes are sent to DRAM. Reads are serviced by DMI. 11: Normal DRAM Operation: All reads and writes are serviced by DRAM.



1.5.20 PAM2 - Programmable Attribute Map 2

B/D/F/Type: 0/0/0/PCI
 Address Offset: 92h
 Default Value: 00h
 Access: RO; RW/L;
 Size: 8 bits

This register controls the read, write, and shadowing attributes of the BIOS areas from 0C8000h- 0CFFFFh.

Bit	Access	Default Value	RST/PWR	Description
7:6	RO	00b	Core	Reserved ()
5:4	RW/L	00b	Core	0CC000-0CFFFF Attribute (HIENABLE): Reserved 00: DRAM Disabled: Accesses are directed to DMI. 01: Read Only: All reads are serviced by DRAM. All writes are forwarded to DMI. 10: Write Only: All writes are sent to DRAM. Reads are serviced by DMI. 11: Normal DRAM Operation: All reads and writes are serviced by DRAM.
3:2	RO	00b	Core	Reserved ()
1:0	RW/L	00b	Core	0C8000-0CBFFF Attribute (LOENABLE): This field controls the steering of read and write cycles that address the BIOS area from 0C8000 to 0CBFFF. 00: DRAM Disabled: Accesses are directed to DMI. 01: Read Only: All reads are serviced by DRAM. All writes are forwarded to DMI. 10: Write Only: All writes are sent to DRAM. Reads are serviced by DMI. 11: Normal DRAM Operation: All reads and writes are serviced by DRAM.



1.5.21 PAM3 - Programmable Attribute Map 3

B/D/F/Type: 0/0/0/PCI
 Address Offset: 93h
 Default Value: 00h
 Access: RO; RW/L;
 Size: 8 bits

This register controls the read, write, and shadowing attributes of the BIOS areas from 0D0000h- 0D7FFFh.

Bit	Access	Default Value	RST/PWR	Description
7:6	RO	00b	Core	Reserved ()
5:4	RW/L	00b	Core	0D4000-0D7FFF Attribute (HIENABLE): This field controls the steering of read and write cycles that address the BIOS area from 0D4000 to 0D7FFF. 00: DRAM Disabled: Accesses are directed to DMI. 01: Read Only: All reads are serviced by DRAM. All writes are forwarded to DMI. 10: Write Only: All writes are sent to DRAM. Reads are serviced by DMI. 11: Normal DRAM Operation: All reads and writes are serviced by DRAM.
3:2	RO	00b	Core	Reserved ()
1:0	RW/L	00b	Core	0D0000-0D3FFF Attribute (LOENABLE): This field controls the steering of read and write cycles that address the BIOS area from 0D0000 to 0D3FFF. 00: DRAM Disabled: Accesses are directed to DMI. 01: Read Only: All reads are serviced by DRAM. All writes are forwarded to DMI. 10: Write Only: All writes are sent to DRAM. Reads are serviced by DMI. 11: Normal DRAM Operation: All reads and writes are serviced by DRAM.



1.5.22 PAM4 - Programmable Attribute Map 4

B/D/F/Type: 0/0/0/PCI
 Address Offset: 94h
 Default Value: 00h
 Access: RO; RW/L;
 Size: 8 bits

This register controls the read, write, and shadowing attributes of the BIOS areas from 0D8000h- 0DFFFFh.

Bit	Access	Default Value	RST/PWR	Description
7:6	RO	00b	Core	Reserved ()
5:4	RW/L	00b	Core	ODC000-0DFFFF Attribute (HIENABLE): This field controls the steering of read and write cycles that address the BIOS area from 0DC000 to 0DFFFF. 00: DRAM Disabled: Accesses are directed to DMI. 01: Read Only: All reads are serviced by DRAM. All writes are forwarded to DMI. 10: Write Only: All writes are sent to DRAM. Reads are serviced by DMI. 11: Normal DRAM Operation: All reads and writes are serviced by DRAM.
3:2	RO	00b	Core	Reserved ()
1:0	RW/L	00b	Core	OD8000-0DBFFF Attribute (LOENABLE): This field controls the steering of read and write cycles that address the BIOS area from 0D8000 to 0DBFFF. 00: DRAM Disabled: Accesses are directed to DMI. 01: Read Only: All reads are serviced by DRAM. All writes are forwarded to DMI. 10: Write Only: All writes are sent to DRAM. Reads are serviced by DMI. 11: Normal DRAM Operation: All reads and writes are serviced by DRAM.



1.5.23 PAM5 - Programmable Attribute Map 5

B/D/F/Type: 0/0/0/PCI
 Address Offset: 95h
 Default Value: 00h
 Access: RO; RW/L;
 Size: 8 bits

This register controls the read, write, and shadowing attributes of the BIOS areas from 0E0000h- 0E7FFFh.

Bit	Access	Default Value	RST/PWR	Description
7:6	RO	00b	Core	Reserved ()
5:4	RW/L	00b	Core	0E4000-0E7FFF Attribute (HIENABLE): This field controls the steering of read and write cycles that address the BIOS area from 0E4000 to 0E7FFF. 00: DRAM Disabled: Accesses are directed to DMI. 01: Read Only: All reads are serviced by DRAM. All writes are forwarded to DMI. 10: Write Only: All writes are sent to DRAM. Reads are serviced by DMI. 11: Normal DRAM Operation: All reads and writes are serviced by DRAM.
3:2	RO	00b	Core	Reserved ()
1:0	RW/L	00b	Core	0E0000-0E3FFF Attribute (LOENABLE): This field controls the steering of read and write cycles that address the BIOS area from 0E0000 to 0E3FFF. 00: DRAM Disabled: Accesses are directed to DMI. 01: Read Only: All reads are serviced by DRAM. All writes are forwarded to DMI. 10: Write Only: All writes are sent to DRAM. Reads are serviced by DMI. 11: Normal DRAM Operation: All reads and writes are serviced by DRAM.



1.5.24 PAM6 - Programmable Attribute Map 6

B/D/F/Type: 0/0/0/PCI
 Address Offset: 96h
 Default Value: 00h
 Access: RO; RW/L;
 Size: 8 bits

This register controls the read, write, and shadowing attributes of the BIOS areas from 0E8000h- 0EFFFFh.

Bit	Access	Default Value	RST/PWR	Description
7:6	RO	00b	Core	Reserved ()
5:4	RW/L	00b	Core	0EC000-0EFFFF Attribute (HIENABLE): This field controls the steering of read and write cycles that address the BIOS area from 0E4000 to 0E7FFF. 00: DRAM Disabled: Accesses are directed to DMI. 01: Read Only: All reads are serviced by DRAM. All writes are forwarded to DMI. 10: Write Only: All writes are sent to DRAM. Reads are serviced by DMI. 11: Normal DRAM Operation: All reads and writes are serviced by DRAM.
3:2	RO	00b	Core	Reserved ():
1:0	RW/L	00b	Core	0E8000-0EBFFF Attribute (LOENABLE): This field controls the steering of read and write cycles that address the BIOS area from 0E0000 to 0E3FFF. 00: DRAM Disabled: Accesses are directed to DMI. 01: Read Only: All reads are serviced by DRAM. All writes are forwarded to DMI. 10: Write Only: All writes are sent to DRAM. Reads are serviced by DMI. 11: Normal DRAM Operation: All reads and writes are serviced by DRAM.



1.5.25 LAC - Legacy Access Control

B/D/F/Type: 0/0/0/PCI
 Address Offset: 97h
 Default Value: 00h
 Access: RW/L; RO;
 Size: 8 bits

This 8-bit register controls a fixed DRAM hole from 15-16 MB.

Bit	Access	Default Value	RST/PWR	Description
7	RW/L	0b	Core	Hole Enable (HEN): This field enables a memory hole in DRAM space. The DRAM that lies "behind" this space is not remapped. 0: No memory hole. 1: Memory hole from 15 MB to 16 MB.
6:0	RO	00h	Core	Reserved (0):

1.5.26 REMAPBASE - Remap Base Address Register

B/D/F/Type: 0/0/0/PCI
 Address Offset: 98-99h
 Default Value: 03FFh
 Access: RO; RW/L;
 Size: 16 bits

Bit	Access	Default Value	RST/PWR	Description
15:10	RO	000000b	Core	Reserved (0)
9:0	RW/L	3FFh	Core	Remap Base Address [35:26] (REMAPBASE): The value in this register defines the lower boundary of the Remap window. The Remap window is inclusive of this address. In the decoder A[25:0] of the Remap Base Address are assumed to be 0's. Thus the bottom of the defined memory range will be aligned to a 64MB boundary. When the value in this register is greater than the value programmed into the Remap Limit register, the Remap window is disabled.



1.5.27 REMAPLIMIT - Remap Limit Address Register

B/D/F/Type: 0/0/0/PCI
 Address Offset: 9A-9Bh
 Default Value: 0000h
 Access: RO; RW/L;
 Size: 16 bits

Bit	Access	Default Value	RST/PWR	Description
15:10	RO	000000b	Core	Reserved ()
9:0	RW/L	000h	Core	<p>Remap Limit Address [35:26] (REMAPLMT): The value in this register defines the upper boundary of the Remap window. The Remap window is inclusive of this address. In the decoder A[25:0] of the remap limit address are assumed to be F's. Thus the top of the defined range will be one less than a 64MB boundary.</p> <p>When the value in this register is less than the value programmed into the Remap Base register, the Remap window is disabled.</p>

1.5.28 SMRAM - System Management RAM Control

B/D/F/Type: 0/0/0/PCI
 Address Offset: 9Dh
 Default Value: 02h
 Access: RO; RW/L; RW; RW/L/K;
 Size: 8 bits

The SMRAMC register controls how accesses to Compatible and Extended SMRAM spaces are treated. The Open, Close, and Lock bits function only when G_SMFRAME bit is set to a 1. Also, the OPEN bit must be reset before the LOCK bit is set.

Bit	Access	Default Value	RST/PWR	Description
7	RO	0b	Core	Reserved ()
6	RW/L	0b	Core	<p>SMM Space Open (D_OPEN): When D_OPEN=1 and D_LCK=0, the SMM space DRAM is made visible even when SMM decode is not active. This is intended to help BIOS initialize SMM space. Software should ensure that D_OPEN=1 and D_CLS=1 are not set at the same time.</p>
5	RW	0b	Core	<p>SMM Space Closed (D_CLS): When D_CLS = 1 SMM space DRAM is not accessible to data references, even if SMM decode is active. Code references may still access SMM space DRAM. This will allow SMM software to reference through SMM space to</p>



Bit	Access	Default Value	RST/ PWR	Description
				update the display even when SMM is mapped over the VGA range. Software should ensure that D_OPEN=1 and D_CLS=1 are not set at the same time.
4	RW/L/K	0b	Core	<p>SMM Space Locked (D_LCK):</p> <p>When D_LCK is set to 1 then D_OPEN is reset to 0 and D_LCK, D_OPEN, C_BASE_SEG, H_SMRAM_EN, TSEG_SZ and TSEG_EN become read only. D_LCK can be set to 1 via a normal configuration space write but can only be cleared by a Full Reset. The combination of D_LCK and D_OPEN provide convenience with security. The BIOS can use the D_OPEN function to initialize SMM space and then use D_LCK to "lock down" SMM space in the future so that no application software (or BIOS itself) can violate the integrity of SMM space, even if the program has knowledge of the D_OPEN function.</p>
3	RW/L	0b	Core	<p>Global SMRAM Enable (G_SMRAME):</p> <p>If set to a 1, then Compatible SMRAM functions are enabled, providing 128 KB of DRAM accessible at the A0000h address while in SMM (ADSB with SMM decode). To enable Extended SMRAM function this bit has to be set to 1. Refer to the section on SMM for more details. Once D_LCK is set, this bit becomes read only.</p>
2:0	RO	010b	Core	<p>Compatible SMM Space Base Segment (C_BASE_SEG):</p> <p>This field indicates the location of SMM space. SMM DRAM is not remapped. It is simply made visible if the conditions are right to access SMM space, otherwise the access is forwarded to DMI. Since the CPU Uncore supports only the SMM space between A0000 and BFFFF, this field is hardwired to 010.</p>



1.5.29 ESMRAMC - Extended System Management RAM Control

B/D/F/Type: 0/0/0/PCI
 Address Offset: 9Eh
 Default Value: 38h
 Access: RW/L; RWC; RO;
 Size: 8 bits

The Extended SMRAM register controls the configuration of Extended SMRAM space. The Extended SMRAM (E_SMRAM) memory provides a write-back cacheable SMRAM memory space that is above 1 MB.

Bit	Access	Default Value	RST/PWR	Description
7	RW/L	0b	Core	Enable High SMRAM (H_SMRAME): Controls the SMM memory space location (i.e. above 1 MB or below 1 MB) When G_SMRAME is 1 and H_SMRAME is set to 1, the high SMRAM memory space is enabled. SMRAM accesses within the range 0FEDA0000h to 0FEDBFFFFh are remapped to DRAM addresses within the range 000A0000h to 000BFFFFh. Once D_LCK has been set, this bit becomes read only.
6	RWC	0b	Core	Invalid SMRAM Access (E_SMERR): This bit is set when CPU has accessed the defined memory ranges in Extended SMRAM (High Memory and T-segment) while not in SMM space and with the D-OPEN bit = 0. It is software's responsibility to clear this bit. The software must write a 1 to this bit to clear it.
5	RO	1b	Core	SMRAM Cacheable (SM_CACHE): This bit is forced to '1' by the CPU Uncore.
4	RO	1b	Core	L1 Cache Enable for SMRAM (SM_L1): This bit is forced to '1' by the CPU Uncore.
3	RO	1b	Core	L2 Cache Enable for SMRAM (SM_L2): This bit is forced to '1' by the CPU Uncore.
2:1	RW/L	00b	Core	TSEG Size (TSEG_SZ): Selects the size of the TSEG memory block if enabled. Memory from the top of DRAM space is partitioned away so that it may only be accessed by the processor interface and only then when the SMM bit is set in the request packet. Non-SMM accesses to this memory region are sent to DMI when the TSEG memory block is enabled. 00: 1MB Tseg. (TOLUD - GTT Graphics Memory Size - Graphics Stolen Memory Size - 1M) to (TOLUD - GTT Graphics Memory Size - Graphics Stolen Memory Size). 01: 2 MB Tseg (TOLUD - GTT Graphics Memory Size - Graphics Stolen Memory Size - 2M) to (TOLUD - GTT Graphics Memory Size - Graphics



Bit	Access	Default Value	RST/PWR	Description
				Stolen Memory Size). 10: 8 MB Tseg (TOLUD - GTT Graphics Memory Size - Graphics Stolen Memory Size - 8M) to (TOLUD - GTT Graphics Memory Size - Graphics Stolen Memory Size). 1: Reserved. Once D_LCK has been set, these bits becomes read only.
0	RW/L	0b	Core	TSEG Enable (T_EN): Enabling of SMRAM memory for Extended SMRAM space only. When G_SMFRAME = 1 and TSEG_EN = 1, the TSEG is enabled to appear in the appropriate physical address space. Note that once D_LCK is set, this bit becomes read only.

1.5.30 TOM - Top of Memory

B/D/F/Type: 0/0/0/PCI
 Address Offset: A0-A1h
 Default Value: 0001h
 Access: RO; RW/L;
 Size: 16 bits

This Register contains the size of physical memory. BIOS determines the memory size reported to the OS using this Register.

Bit	Access	Default Value	RST/PWR	Description
15:10	RO	00h	Core	Reserved (0):
9:0	RW/L	001h	Core	Top of Memory (TOM): This register reflects the total amount of populated physical memory. This is NOT necessarily the highest main memory address (holes may exist in main memory address map due to addresses allocated for memory mapped IO). These bits correspond to address bits 35:26 (64MB granularity). Bits 25:0 are assumed to be 0. MCH determines the base of EP stolen memory by subtracting the EP stolen memory size from TOM



1.5.31 TOUUD - Top of Upper Usable Dram

B/D/F/Type: 0/0/0/PCI
 Address Offset: A2-A3h
 Default Value: 0000h
 Access: RW/L;
 Size: 16 bits

This 16 bit register defines the Top of Upper Usable DRAM.

Configuration software must set this value to TOM minus all EP stolen memory if reclaim is disabled. If reclaim is enabled, this value must be set to (reclaim limit + 1 byte) 64MB aligned since reclaim limit is 64MB aligned. Address bits 19:0 are assumed to be 000_0000h for the purposes of address comparison. The Host interface positively decodes an address towards DRAM if the incoming address is less than the value programmed in this register and greater than or equal to 4GB.

Bit	Access	Default Value	RST/PWR	Description
15:0	RW/L	0000h	Core	TOUUD (TOUUD): This register contains bits 35 to 20 of an address one byte above the maximum DRAM memory above 4G that is usable by the operating system. Configuration software must set this value to TOM minus all EP stolen memory if reclaim is disabled. If reclaim is enabled, this value must be set to (reclaim limit + 1 byte) 64MB aligned since reclaim limit is 64MB aligned. Address bits 19:0 are assumed to be 000_0000h for the purposes of address comparison. The Host interface positively decodes an address towards DRAM if the incoming address is less than the value programmed in this register and greater than 4GB.

1.5.32 GBSM - Graphics Base of Stolen Memory

B/D/F/Type: 0/0/0/PCI
 Address Offset: A4-A7h
 Default Value: 00000000h
 Access: RO; RW/L;
 Size: 32 bits

This register contains the base address of graphics data stolen DRAM memory. BIOS determines the base of graphics data stolen memory by subtracting the graphics data stolen memory size (PCI Device 0 offset 52 bits 7:4) from TOLUD (PCI Device 0 offset B0 bits 15:04).

Note: This register is locked and becomes Read Only when the D_LCK bit in the SMRAM register is set.



Bit	Access	Default Value	RST/PWR	Description
31:20	RW/L	000h	Core	<p>Graphics Base of Stolen Memory (GBSM): This register contains bits 31 to 20 of the base address of stolen DRAM memory. BIOS determines the base of graphics stolen memory by subtracting the graphics stolen memory size (PCI Device 0 offset 52 bits 6:4) from TOLUD (PCI Device 0 offset B0 bits 15:04).</p> <p>NOTE: This register is locked and becomes Read Only when the D_LCK bit in the SMRAM register is set.</p>
19:0	RO	00000h	Core	Reserved ()

1.5.33 BGSM - Base of GTT stolen Memory

B/D/F/Type: 0/0/0/PCI
 Address Offset: A8-ABh
 Default Value: 00000000h
 Access: RO; RW/L;
 Size: 32 bits

This register contains the base address of stolen DRAM memory for the GTT. BIOS determines the base of GTT stolen memory by subtracting the GTT graphics stolen memory size (PCI Device 0 offset 52 bits 9:8) from the graphics stolen memory base (PCI Device 0 offset A4 bits 31:20).

Note: This register is locked and becomes Read Only when the D_LCK bit in the SMRAM register is set.

Bit	Access	Default Value	RST/PWR	Description
31:20	RW/L	000h	Core	<p>Graphics Base of Stolen Memory (GBSM): This register contains bits 31 to 20 of the base address of stolen DRAM memory. BIOS determines the base of graphics stolen memory by subtracting the GTT graphics stolen memory size (PCI Device 0 offset 52 bits 9:8) from the graphics stolen memory base (PCI Device 0 offset A4 bits 31:20).</p> <p>NOTE: This register is locked and becomes Read Only when the D_LCK bit in the SMRAM register is set.</p>
19:0	RO	00000h	Core	Reserved ()



1.5.34 TSEGMB - TSEG Memory Base

B/D/F/Type: 0/0/0/PCI
 Address Offset: AC-AFh
 Default Value: 00000000h
 Access: RW/L; RO;
 Size: 32 bits

This register contains the base address of TSEG DRAM memory. BIOS determines the base of TSEG memory by subtracting the TSEG size (PCI Device 0 offset 9E bits 02:01) from graphics GTT stolen base (PCI Device 0 offset A8 bits 31:20).

Once D_LCK has been set, these bits becomes read only.

Bit	Access	Default Value	RST/PWR	Description
31:20	RW/L	000h	Core	TSEG Memory base (TSEGMB): This register contains bits 31 to 20 of the base address of TSEG DRAM memory. BIOS determines the base of TSEG memory by subtracting the TSEG size (PCI Device 0 offset 9E bits 02:01) from graphics GTT stolen base (PCI Device 0 offset A8 bits 31:20). Once D_LCK has been set, these bits become read only.
19:0	RO	00000h	Core	Reserved ()

1.5.35 TOLUD - Top of Low Usable DRAM

B/D/F/Type: 0/0/0/PCI
 Address Offset: B0-B1h
 Default Value: 0010h
 Access: RW/L; RO;
 Size: 16 bits

This 16 bit register defines the Top of Low Usable DRAM. TSEG, GTT Graphics Memory and Graphics Stolen Memory are within the DRAM space defined. From the top, CPU Uncore optionally claims 1 to 64MBs of DRAM for internal graphics if enabled 1, 2MB of DRAM for GTT Graphics Stolen Memory (if enabled) and 1, 2, or 8 MB of DRAM for TSEG if enabled.

Programming Example :

- C1DRB3 is set to 4GB
- TSEG is enabled and TSEG size is set to 1MB
- Internal Graphics is enabled and Graphics Mode Select set to 32MB
- GTT Graphics Stolen Memory Size set to 2MB
- BIOS knows the OS requires 1G of PCI space.



BIOS also knows the range from FEC0_0000h to FFFF_FFFFh is not usable by the system. This 20MB range at the very top of addressable memory space is lost to APIC.

According to the above equation, TOLUD is originally calculated to: 4GB = 1_0000_0000h

The system memory requirements are: 4GB (max addressable space) - 1GB (PCI space) - 35MB (lost memory) = 3GB - 35MB (minimum granularity) = ECB0_0000h

Since ECB0_0000h (PCI and other system requirements) is less than 1_0000_0000h, TOLUD should be programmed to ECBh.

Bit	Access	Default Value	RST/PWR	Description
15:4	RW/L	001h	Core	<p>Top of Low Usable DRAM (TOLUD): This register contains bits 31 to 20 of an address one byte above the maximum DRAM memory below 4G that is usable by the operating system. Address bits 31 down to 20 programmed to 01h implies a minimum memory size of 1MBs. Configuration software must set this value to the smaller of the following 2 choices: maximum amount memory in the system minus ME stolen memory plus one byte or the minimum address allocated for PCI memory. Address bits 19:0 are assumed to be 0_0000h for the purposes of address comparison. The Host interface positively decodes an address towards DRAM if the incoming address is less than the value programmed in this register.</p> <p>NOTE: The Top of Low Usable DRAM is the lowest address above both Graphics Stolen memory and Tseg. BIOS determines the base of Graphics Stolen Memory by subtracting the Graphics Stolen Memory Size from TOLUD and further decrements by Tseg size to determine base of Tseg.</p> <p>This register must be 64MB aligned when reclaim is enabled.</p>
3:0	RO	0000b	Core	Reserved (



1.5.36 ERRSTS - Error Status

B/D/F/Type: 0/0/0/PCI
 Address Offset: C8-C9h
 Default Value: 0000h
 Access: RO; RWC/S;
 Size: 16 bits

This register is used to report various error conditions via the SERR DMI messaging mechanism. An SERR DMI message is generated on a zero to one transition of any of these flags (if enabled by the ERRCMD and PCICMD registers).

These bits are set regardless of whether or not the SERR is enabled and generated. After the error processing is complete, the error logging mechanism can be unlocked by clearing the appropriate status bit by software writing a '1' to it.

Bit	Access	Default Value	RST/PWR	Description
15:13	RO	000b	Core	Reserved ()
12	RWC/S	0b	Core	GMCH Software Generated Event for SMI (GSGSMI): This indicates the source of the SMI was a Device 2 Software Event.
11	RWC/S	0b	Core	GMCH Thermal Sensor Event for SMI/SCI/SERR (GTSE): Indicates that a CPU Uncore Thermal Sensor trip has occurred and an SMI, SCI or SERR has been generated. The status bit is set only if a message is sent based on Thermal event enables in Error command, SMI command and SCI command registers. A trip point can generate one of SMI, SCI, or SERR interrupts (two or more per event is illegal). Multiple trip points can generate the same interrupt, if software chooses this mode, subsequent trips may be lost. If this bit is already set, then an interrupt message will not be sent on a new thermal sensor event.
10	RO	0b	Core	Reserved (
9	RWC/S	0b	Core	LOCK to non-DRAM Memory Flag (LCKF): When this bit is set to 1, the CPU Uncore has detected a lock operation to memory space that did not map into DRAM.
8	RO	0b	Core	Received Refresh Timeout Flag (RRTOF): Reserved
7	RWC/S	0b	Core	DRAM Throttle Flag (DTF): 1: Indicates that a DRAM Throttling condition occurred. 0: Software has cleared this flag since the most recent throttling event.



Bit	Access	Default Value	RST/PWR	Description
6:2	RO	00h	Core	Reserved ()
1	RO	0b	Core	Reserved ()
0	RO	0b	Core	Reserved ()

1.5.37 ERRCMD - Error Command

B/D/F/Type: 0/0/0/PCI
 Address Offset: CA-CBh
 Default Value: 0000h
 Access: RO; RW;
 Size: 16 bits

This register controls the CPU Uncore responses to various system errors. Since the CPU Uncore does not have an SERRB signal, SERR messages are passed from the CPU Uncore to the SouthBridge over DMI.

When a bit in this register is set, a SERR message will be generated on DMI whenever the corresponding flag is set in the ERRSTS register. The actual generation of the SERR message is globally enabled for Device #0 via the PCI Command register.

Bit	Access	Default Value	RST/PWR	Description
15:12	RO	0h	Core	Reserved ()
11	RW	0b	Core	SERR on CPU Uncore Thermal Sensor Event (TSESERR): 1: The CPU Uncore generates a DMI SERR special cycle when bit 11 of the ERRSTS is set. The SERR must not be enabled at the same time as the SMI for the same thermal sensor event. 0: Reporting of this condition via SERR messaging is disabled.
10	RO	0b	Core	Reserved ()
9	RW	0b	Core	SERR on LOCK to non-DRAM Memory (LCKERR): 1: The CPU Uncore will generate a DMI SERR special cycle whenever a CPU lock cycle is detected that does not hit DRAM. 0: Reporting of this condition via SERR messaging is disabled.
8	RW	0b	Core	SERR on DRAM Refresh Timeout (DRTOERR): 1: The CPU Uncore generates a DMI SERR special cycle when a DRAM Refresh timeout occurs. 0: Reporting of this condition via SERR messaging is disabled.



Bit	Access	Default Value	RST/PWR	Description
7	RW	0b	Core	SERR on DRAM Throttle Condition (DTCERR): 1: The CPU Uncore generates a DMI SERR special cycle when a DRAM Read or Write Throttle condition occurs. 0: Reporting of this condition via SERR messaging is disabled.
6:2	RO	00h	Core	Reserved ()
1	RO	0b	Core	Reserved (
0	RO	0b	Core	Reserved ()

1.5.38 SMICMD - SMI Command

B/D/F/Type: 0/0/0/PCI
 Address Offset: CC-CDh
 Default Value: 0000h
 Access: RO; RW;
 Size: 16 bits

This register enables various errors to generate an SMI DMI special cycle. When an error flag is set in the ERRSTS register, it can generate an SERR, SMI, or SCI DMI special cycle when enabled in the ERRCMD, SMICMD, or SCICMD registers, respectively. Note that one and only one message type can be enabled.

Bit	Access	Default Value	RST/PWR	Description
15:12	RO	0h	Core	Reserved ()
11	RW	0b	Core	SMI on CPU Uncore Thermal Sensor Trip (TSTSMI): 1: A SMI DMI special cycle is generated by CPU Uncore when the thermal sensor trip requires an SMI. A thermal sensor trip point cannot generate more than one special cycle. 0: Reporting of this condition via SMI messaging is disabled.
10:2	RO	000h	Core	Reserved ()
1	RO	0b	Core	Reserved ()
0	RO	0b	Core	Reserved ()



1.5.39 SKPD - Scratchpad Data

B/D/F/Type: 0/0/0/PCI
 Address Offset: DC-DFh
 Default Value: 00000000h
 Access: RW;
 Size: 32 bits

This register holds 32 writable bits with no functionality behind them. It is for the convenience of BIOS and graphics drivers.

Bit	Access	Default Value	RST/PWR	Description
31:0	RW	00000000h	Core	Scratchpad Data (SKPD): 1 DWORD of data storage.

1.5.40 CAPID0 - Capability Identifier

B/D/F/Type: 0/0/0/PCI
 Address Offset: E0-E7h
 Default Value: 0000000001080009h
 Access: RO;
 Size: 64 bits

Bit	Access	Default Value	RST/PWR	Description
63:61	RO	000b	Core	RESERVED ()
60	RO	0b	Core	RESERVED ()
59	RO	0b	Core	RESERVED ()
58	RO	0b	Core	RESERVED ()
57:55	RO	000b	Core	Capability Device ID (CDID): Identifier assigned to CPU primary PCI device. The device IDs for CPU family are: Identifier assigned to CPU primary PCI device. The device IDs for Intel® Atom™ Processor family are: A00X: Desktop A01X: Mobile The corresponding three bit capability ID programming is 000 Desktop 001 Mobile
54:51	RO	0000b	Core	Compatibility Rev ID (CRID): This is an 8-bit value that indicates the revision identification number for CPU Device 0. For the A-0 Stepping, this value is 00h.
50	RO	0b	Core	RESERVED ()



Bit	Access	Default Value	RST/PWR	Description
49	RO	0b	Core	RESERVED ()
48	RO	0b	Core	RESERVED ()
47	RO	0b	Core	RESERVED ()
46	RO	0b	Core	RESERVED ()
45	RO	0b	Core	RESERVED ()
44	RO	0b	Core	RESERVED ()
43	RO	0b	Core	RESERVED ()
42	RO	0b	Core	RESERVED ()
41	RO	0b	Core	RESERVED ()
40	RO	0b	Core	RESERVED ()
39	RO	0b	Core	RESERVED ()
38	RO	0b	Core	RESERVED ()
37:35	RO	000b	Core	RESERVED ()
34	RO	0b	Core	RESERVED ()
33:31	RO	000b	Core	<p>DDR Frequency Capability (DDRFC): This field controls which values may be written to the Memory Frequency Select field 6:4 of the Clocking Configuration registers (MCHBAR Offset C00h). Any attempt to write an unsupported value will be ignored.</p> <p>000: Reserved 001: Reserved 010: Reserved 011: Reserved 100: RESERVED () 101: Capable of up to DDR2 800 110: Capable of up to DDR2 667 111: RESERVED ()</p>
30:28	RO	000b	Core	RESERVED ()
27:24	RO	1h	Core	<p>CAPID Version (CAPIDV): This field has the value 0001b to identify the first revision of the CAPID register definition.</p>
23:16	RO	08h	Core	<p>CAPID Length (CAPIDL): This field has the value 08h to indicate the structure length (8 bytes).</p>
15:8	RO	00h	Core	<p>Next Capability Pointer (NCP): This field is hardwired to 00h indicating the end of the capabilities linked list.</p>



Bit	Access	Default Value	RST/PWR	Description
7:0	RO	09h	Core	Capability Identifier (CAP_ID): This field has the value 1001b to identify the CAP_ID assigned by the PCI SIG for vendor dependent capability pointers.

1.6 MCHBAR

Register Name	Register Symbol	Register Start	Register End	Default Value	Access
Channel Decode Misc	CHDECMISC	111	111	00h	RW/L; RO;
Channel 0 DRAM Rank Boundary Address 0	CODRBO	200	201	0000h	RW/L; RO;
Channel 0 DRAM Rank Boundary Address 1	CODRB1	202	203	0000h	RW/L; RO;
Channel 0 DRAM Rank Boundary Address 2	CODRB2	204	205	0000h	RW/L; RO;
Channel 0 DRAM Rank Boundary Address 3	CODRB3	206	207	0000h	RW/L; RO;
Channel 0 DRAM Rank 0,1 Attribute	CODRA01	208	209	0000h	RW/L;
Channel 0 DRAM Rank 2,3 Attribute	CODRA23	20A	20B	0000h	RW/L;
Channel 0 CYCTRK PCHG	COCYCTRKPCHG	250	251	0000h	RO; RW;
Channel 0 CYCTRK ACT	COCYCTRKA CT	252	255	00000000h	RW; RO;
Channel 0 CYCTRK WR	COCYCTRKWR	256	257	0000h	RW;
Channel 0 CYCTRK READ	COCYCTRKR D	258	25A	000000h	RW; RO;
Channel 0 CYCTRK REFR	COCYCTRKR EFR	25B	25C	0000h	RO; RW;
Channel 0 CKE Control	COCKECTRL	260	263	00000800h	RW; RW/L; RO;
Channel 0 DRAM Refresh Control	COREFRCTR L	269	26E	241830000C30h	RW; RO;
Channel 0 ODT Control	COODTCTRL	29C	29F	00000000h	RO; RW;



Register Name	Register Symbol	Register Start	Register End	Default Value	Access
Power Management Status	PMSTS	F14	F17	00000000h	RWC/P; RO;

1.6.1 CHDECMISC - Channel Decode Misc

B/D/F/Type: 0/0/0/MCHBAR
 Address Offset: 111h
 Default Value: 00h
 Access: RW/L; RO;
 Size: 8 bits

Misc. CHDEC/MAGEN configuration bits

Bit	Access	Default Value	RST/PWR	Description
7	RW/L	0b	Core	Enhanced Address for DIMM Select (ENHDIMMSEL): This bit can be set when enhanced mode of addressing for ranks are enabled and all four ranks are populated with equal amount of memory. This should be disabled when EP is present. 0 = Use Standard methods for DIMM Select. 1 = Use Enhanced Address as DIMM Select.
6:5	RW/L	00b	Core	Enhanced Mode Select (ENHMODESEL): 00 = Swap Enabled for Bank Selects and Rank Selects 01 = XOR Enabled for Bank Selects and Rank Selects 10 = Swap Enabled for Bank Selects only 11 = XOR Enabled for Bank Select only
4:3	RO	00b	Core	Reserved ()
2	RW/L	0b	Core	Ch0 Enhanced Mode (CHO_ENHMODE): This bit indicates that enhanced addressing mode of operation is enabled for ch0 Enhanced addressing mode of operation should be enabled only when both the channels are equally populated with same size and same type of DRAM memory. An added restriction is that the number of ranks/channel has to be 1, 2 or 4. NOTE: If any of the two channels is in enhanced mode, the other channel should also be in enhanced mode.
1:0	RO	00b	Core	Reserved ():



1.6.2 CODRBO - Channel 0 DRAM Rank Boundary Address 0

B/D/F/Type: 0/0/0/MCHBAR
 Address Offset: 200-201h
 Default Value: 0000h
 Access: RW/L; RO;
 Size: 16 bits

The DRAM Rank Boundary Registers define the upper boundary address of each DRAM rank with a granularity of 64MB. Each rank has its own single-word DRB register. These registers are used to determine which chip select will be active for a given address. Channel and rank map:

- ch0 rank0: 200h
- ch0 rank1: 202h
- ch0 rank2: 204h
- ch0 rank3: 206h

Programming guide:

1. Non-stacked mode:
 If Channel 0 is empty, all of the CODRBs are programmed with 00h.
CODRBO = Total memory in ch0 rank0 (in 64MB increments)
CODRB1 = Total memory in ch0 rank0 + ch0 rank1 (in 64MB increments)
 and so on.
2. Stacked mode:
CODRBs:
 Similar to Non-stacked mode.

Bit	Access	Default Value	RST/PWR	Description
15:10	RO	000000b	Core	Reserved ():
9:0	RW/L	000h	Core	Channel 0 Dram Rank Boundary Address 0 (CODRBA0): This register defines the DRAM rank boundary for rank0 of Channel 0 (64 MB granularity) =R0 R0 = Total rank0 memory size/64MB R1 = Total rank1 memory size/64MB R2 = Total rank2 memory size/64MB R3 = Total rank3 memory size/64MB



1.6.3 C0DRB1 - Channel 0 DRAM Rank Boundary Address 1

B/D/F/Type: 0/0/0/MCHBAR
 Address Offset: 202-203h
 Default Value: 0000h
 Access: RW/L; RO;
 Size: 16 bits

See C0DRB0

Bit	Access	Default Value	RST/PWR	Description
15:10	RO	000000b	Core	Reserved ()
9:0	RW/L	000h	Core	Channel 0 Dram Rank Boundary Address 1 (C0DRBA1): This register defines the DRAM rank boundary for rank1 of Channel 0 (64 MB granularity) $= (R1 + R0)$ R0 = Total rank0 memory size/64MB R1 = Total rank1 memory size/64MB R2 = Total rank2 memory size/64MB R3 = Total rank3 memory size/64MB

1.6.4 C0DRB2 - Channel 0 DRAM Rank Boundary Address 2

B/D/F/Type: 0/0/0/MCHBAR
 Address Offset: 204-205h
 Default Value: 0000h
 Access: RW/L; RO;
 Size: 16 bits

See C0DRB0

Bit	Access	Default Value	RST/PWR	Description
15:10	RO	000000b	Core	Reserved ()
9:0	RW/L	000h	Core	Channel 0 DRAM Rank Boundary Address 2 (C0DRBA2): This register defines the DRAM rank boundary for rank2 of Channel 0 (64 MB granularity) $= (R2 + R1 + R0)$ R0 = Total rank0 memory size/64MB R1 = Total rank1 memory size/64MB R2 = Total rank2 memory size/64MB R3 = Total rank3 memory size/64MB



1.6.5 C0DRB3 - Channel 0 DRAM Rank Boundary Address 3

B/D/F/Type: 0/0/0/MCHBAR
 Address Offset: 206-207h
 Default Value: 0000h
 Access: RW/L; RO;
 Size: 16 bits

See C0DRB0

Bit	Access	Default Value	RST/PWR	Description
15:10	RO	000000b	Core	Reserved (0):
9:0	RW/L	000h	Core	Channel 0 DRAM Rank Boundary Address 3 (C0DRBA3): This register defines the DRAM rank boundary for rank3 of Channel 0 (64 MB granularity) $= (R3 + R2 + R1 + R0)$ R0 = Total rank0 memory size/64MB R1 = Total rank1 memory size/64MB R2 = Total rank2 memory size/64MB R3 = Total rank3 memory size/64MB

1.6.6 C0DRA01 - Channel 0 DRAM Rank 0,1 Attribute

B/D/F/Type: 0/0/0/MCHBAR
 Address Offset: 208-209h
 Default Value: 0000h
 Access: RW/L;
 Size: 16 bits

The DRAM Rank Attribute Registers define the page sizes/number of banks to be used when accessing different ranks. These registers should be left with their default value (all zeros) for any rank that is unpopulated, as determined by the corresponding CxDRB registers. Each byte of information in the CxDRA registers describes the page size of a pair of ranks. Channel and rank map:

- Ch0 Rank0, 1: 208h-209h
- Ch0 Rank2, 3: 20Ah-20Bh



DRA[6:0] = "00" means cfg0 , DRA[6:0] ="01" means cfg1 DRA[6:0] = "09" means cfg9 and so on.

DRA[7] indicates whether it's an 8 bank config or not. DRA[7] = 0 means 4 bank, DRA[7] = 1 means 8 bank.

DRA Cfg	Tech	DDRx	Depth	Width	Row	Col	Bank	Size	Row Size	Page
0	256Mb	2	32M	8	13	10	2	256MB	8K	
1	256Mb	2	16M	16	13	9	2	128MB	4K	
2	512Mb	2	64M	8	14	10	2	512MB	8k	
3	512Mb	2	32M	16	13	10	2	256MB	8k	
4	512Mb	3	64M	8	13	10	3	512MB	8k	
5	512Mb	3	32M	16	12	10	3	256MB	8k	
6	1 Gb	2	128M	8	14	10	3	1 GB	8k	
7	1 Gb	2	64M	16	13	10	3	512MB	8k	
8	2 Gb	2	256M	8	15	10	3	2 GB	8k	
9	2 Gb	2	128M	16	14	10	3	1 GB	8k	

Bit	Access	Default Value	RST/PWR	Description
15:8	RW/L	00h	Core	Channel 0 DRAM Rank-1 Attributes (CODRA1): This register defines DRAM page size/number-of-banks for rank1 for given channel. See table in register description for programming.
7:0	RW/L	00h	Core	Channel 0 DRAM Rank-0 Attributes (CODRA0): This register defines DRAM page size/number-of-banks for rank0 for given channel. See table in register description for programming.



1.6.7 CODRA23 - Channel 0 DRAM Rank 2, 3 Attribute

B/D/F/Type: 0/0/0/MCHBAR
 Address Offset: 20A-20Bh
 Default Value: 0000h
 Access: RW/L;
 Size: 16 bits

See CODRA01

Bit	Access	Default Value	RST/PWR	Description
15:8	RW/L	00h	Core	Channel 0 DRAM Rank-3 Attributes (CODRA3): This register defines DRAM page size/number-of-banks for rank3 for given channel See table in register description for programming
7:0	RW/L	00h	Core	Channel 0 DRAM Rank-2 Attributes (CODRA2): This register defines DRAM page size/number-of-banks for rank2 for given channel See table in register description for programming

1.6.8 COCYTRKPCHG - Channel 0 CYCTRK PCHG

B/D/F/Type: 0/0/0/MCHBAR
 Address Offset: 250-251h
 Default Value: 0000h
 Access: RO; RW;
 Size: 16 bits

Channel 0 CYCTRK Precharge Registers.

Bit	Access	Default Value	RST/PWR	Description
15:11	RO	00000b	Core	Reserved (): Reserved.
10:6	RW	00000b	Core	Write To PRE Delayed (C0sd_cr_wr_pchg): This configuration register indicates the minimum allowed spacing (in DRAM clocks) between the WRITE and PRE commands to the same rank-bank. Corresponds to tWR at DDR Specification.
5:2	RW	0000b	Core	READ To PRE Delayed (C0sd_cr_rd_pchg): This configuration register indicates the minimum allowed spacing (in DRAM clocks) between the READ and PRE commands to the same rank-bank.



Bit	Access	Default Value	RST /PWR	Description
1:0	RW	00b	Core	PRE To PRE Delayed (C0sd_cr_pchg_pchg): This configuration register indicates the minimum allowed spacing (in DRAM clocks) between two PRE commands to the same rank.

1.6.9 COCYCTRKACT - Channel 0 CYCTRK ACT

B/D/F/Type: 0/0/0/MCHBAR
 Address Offset: 252-255h
 Default Value: 00000000h
 Access: RW; RO;
 Size: 32 bits

Channel 0 CYCTRK Activate Registers.

Bit	Access	Default Value	RST /PWR	Description
31:28	RO	0h	Core	RESERVED () (RESERVED ())
27:22	RW	000000b	Core	ACT Window Count (C0sd_cr_act_windowcnt): This configuration register indicates the window duration (in DRAM clocks) during which the controller counts the # of activate commands which are launched to a particular rank. If the number of activate commands launched within this window is greater than 4, then a check is implemented to block launch of further activates to this rank for the rest of the duration of this window.
21	RW	0b	Core	Max ACT Check Disable (C0sd_cr_maxact_dischk): This configuration register disenables the check, which ensures that there are no more than four activates to a particular rank in a given window.
20:17	RW	0000b	Core	ACT to ACT Delayed (C0sd_cr_act_act[]): This configuration register indicates the minimum allowed spacing (in DRAM clocks) between two ACT commands to the same rank. Corresponds to tRRD at DDR Spec.
16:13	RW	0000b	Core	PRE to ACT Delayed (C0sd_cr_pre_act): This configuration register indicates the minimum allowed spacing (in DRAM clocks) between the PRE and ACT commands to the same rank-bank: 12:9R/W0000bPRE-ALL to ACT Delayed (C0sd_cr_preall_act): This configuration register indicates the minimum allowed spacing (in DRAM clocks) between the PRE-ALL and ACT commands to the same rank. Corresponds to tRP at DDR Spec.



Bit	Access	Default Value	RST/PWR	Description
12:9	RW	0h	Core	ALLPRE to ACT Delay (C0sd0_cr_preall_act): From the launch of a precharged command wait for these many # of MCLKs before launching a activate command. Corresponds to tPALL_RP.
8:0	RW	00000000 0b	Core	REF to ACT Delayed (C0sd_cr_rfsh_act): This configuration register indicates the minimum allowed spacing (in DRAM clocks) between REF and ACT commands to the same rank. Corresponds to tRFC at DDR Spec.

1.6.10 COCYCTRKWR - Channel 0 CYCTRK WR

B/D/F/Type: 0/0/0/MCHBAR
 Address Offset: 256-257h
 Default Value: 0000h
 Access: RW;
 Size: 16 bits

Channel 0 CYCTRK WR Registers.

Bit	Access	Default Value	RST/PWR	Description
15:12	RW	0h	Core	ACT To Write Delay (C0sd_cr_act_wr): This configuration register indicates the minimum allowed spacing (in DRAM clocks) between the ACT and WRITE commands to the same rank-bank. Corresponds to tRCD_wr at DDR Spec.
11:8	RW	0h	Core	Same Rank Write To Write Delayed (C0sd_cr_wrsr_wr): This configuration register indicates the minimum allowed spacing (in DRAM clocks) between two WRITE commands to the same rank.
7:4	RW	0h	Core	Different Rank Write to Write Delay (C0sd_cr_wrd_r_wr): This configuration register indicates the minimum allowed spacing (in DRAM clocks) between two WRITE commands to different ranks. Corresponds to tWR_WR at DDR Spec.
3:0	RW	0h	Core	READ To WRTE Delay (C0sd_cr_rd_wr): This configuration register indicates the minimum allowed spacing (in DRAM clocks) between the READ and WRITE commands. Corresponds to tRD_WR.



1.6.11 COCYCTRKRD - Channel 0 CYCTRK READ

B/D/F/Type: 0/0/0/MCHBAR
 Address Offset: 258-25Ah
 Default Value: 000000h
 Access: RW; RO;
 Size: 24 bits

Channel 0 CYCTRK RD Registers.

Bit	Access	Default Value	RST/PWR	Description
23:21	RO	000b	Core	Reserved (): Reserved.
20:17	RW	0h	Core	Min ACT To READ Delayed (C0sd_cr_act_rd): This configuration register indicates the minimum allowed spacing (in DRAM clocks) between the ACT and READ commands to the same rank-bank. Corresponds to tRCD_rd at DDR Spec.
16:12	RW	00000b	Core	Same Rank Write To READ Delayed (C0sd_cr_wrsr_rd): This configuration register indicates the minimum allowed spacing (in DRAM clocks) between the WRITE and READ commands to the same rank. Corresponds to tWTR at DDR Spec.
11:8	RW	0000b	Core	Different Ranks Write To READ Delayed (C0sd_cr_wrd_r_rd): This configuration register indicates the minimum allowed spacing (in DRAM clocks) between the WRITE and READ commands to different ranks. Corresponds to tWR_RD at DDR Spec.
7:4	RW	0000b	Core	Same Rank Read To Read Delayed (C0sd_cr_rdsr_rd): This configuration register indicates the minimum allowed spacing (in DRAM clocks) between two READ commands to the same rank.
3:0	RW	0000b	Core	Different Ranks Read To Read Delayed (C0sd_cr_rddr_rd): This configuration register indicates the minimum allowed spacing (in DRAM clocks) between two READ commands to different ranks. Corresponds to tRD_RD.



1.6.12 COCYCTRKREFR - Channel 0 CYCTRK REFR

B/D/F/Type: 0/0/0/MCHBAR
 Address Offset: 25B-25Ch
 Default Value: 0000h
 Access: RO; RW;
 Size: 16 bits

Channel 0 CYCTRK Refresh Registers.

Bit	Access	Default Value	RST/PWR	Description
15:13	RO	000b	Core	RESERVED () (RESERVED ()): Reserved.
12:9	RW	0000b	Core	Same Rank PALL to REF Delayed (COsd_cr_pchgall_rfsh): This configuration register indicates the minimum allowed spacing (in DRAM clocks) between the PRE-ALL and REF commands to the same rank.
8:0	RW	00000000 0b	Core	Same Rank REF to REF Delayed (COsd_cr_rfsh_rfsh): This configuration register indicates the minimum allowed spacing (in DRAM clocks) between two REF commands to same ranks.

1.6.13 COCKECTRL - Channel 0 CKE Control

B/D/F/Type: 0/0/0/MCHBAR
 Address Offset: 260-263h
 Default Value: 00000800h
 Access: RW; RW/L; RO;
 Size: 32 bits

CKE controls for Channel 0

Bit	Access	Default Value	RST/PWR	Description
31:28	RO	0000b	Core	Reserved (): Reserved
27	RW	0b	Core	Start the self-refresh exit sequence (sd0_cr_srcstart): This configuration register indicates the request to start the self-refresh exit sequence
26:24	RW	000b	Core	CKE pulse width requirement in high phase (sd0_cr_cke_pw_hi_safe): This configuration register indicates CKE pulse width requirement in high phase. Corresponds to tCKE (high) at DDR Spec.



Bit	Access	Default Value	RST/ PWR	Description
23	RW/L	0b	Core	Rank 3 Population (sd0_cr_rankpop3): 1 - Rank 3 populated 0 - Rank 3 not populated
22	RW/L	0b	Core	Rank 2 Population (sd0_cr_rankpop2): 1 - Rank 2 populated 0 - Rank 2 not populated
21	RW/L	0b	Core	Rank 1 Population (sd0_cr_rankpop1): 1 - Rank 1 populated 0 - Rank 1 not populated
20	RW/L	0b	Core	Rank 0 Population (sd0_cr_rankpop0): 1 - Rank 0 populated 0 - Rank 0 not populated
19:17	RW	000b	Core	CKE pulse width requirement in low phase (sd0_cr_cke_pw_lh_safe): This configuration register indicates CKE pulse width requirement in low phase. Corresponds to tCKE (low) at DDR Spec.
16	RW	0b	Core	Enable CKE toggle for PDN entry/exit (sd0_cr_pdn_enable): This configuration bit indicates that the toggling of CKE's (for PDN entry/exit) is enabled.
15:14	RO	00b	Core	Reserved ()
13:10	RW	0010b	Core	Minimum Powerdown exit to Non-Read command spacing (sd0_cr_txp): This configuration register indicates the minimum number of clocks to wait following assertion of CKE before issuing a non-read command. 1010-1111=Reserved. 0010-1001=2-9clocks. 0000-0001=Reserved.
9:1	RW	00000000 0b	Core	Self refresh exit count (sd0_cr_slfrfsh_exit_cnt): This configuration register indicates the Self refresh exit count. (Program to 255). Corresponds to tXSNR/tXSRD at DDR Spec.
0	RW	0b	Core	indicates only 1 DIMM populated (sd0_cr_singleDIMMpop): This configuration register indicates the that only 1 DIMM is populated.



1.6.14 COREFRCTRL - Channel 0 DRAM Refresh Control

B/D/F/Type: 0/0/0/MCHBAR
 Address Offset: 269-26Eh
 Default Value: 241830000C30h
 Access: RW; RO;
 Size: 48 bits

Settings to configure the DRAM refresh controller.

Bit	Access	Default Value	RST/PWR	Description
47	RO	0b	Core	Reserved ()
46:44	RW	010b	Core	Initial Refresh Count (sd0_cr_init_refrcnt): Specifies the initial refresh count value.
43:38	RW	010000b	Core	Direct Rcomp Quiet Window (DIRQUIET): This configuration setting indicates the amount of refresh_tick events to wait before the service of rcomp request in non-default mode of independent rank refresh.
37:32	RW	011000b	Core	Indirect Rcomp Quiet Window (INDIRQUIET): This configuration setting indicates the amount of refresh_tick events to wait before the service of rcomp request in non-default mode of independent rank refresh.
31:27	RW	00110b	Core	Rcomp Wait (RCOMPWAIT): This configuration setting indicates the amount of refresh_tick events to wait before the service of rcomp request in non-default mode of independent rank refresh.
26	RW	0b	Core	ZQCAL Enable (ZQCALEN): This bit enables the DRAM controller to issue ZQCAL S command periodically.
25	RW	0b	Core	Refresh Counter Enable (REFCNTEN): This bit is used to enable the refresh counter to count during times that DRAM is not in self-refresh, but refreshes are not enabled. Such a condition may occur due to need to reprogram DIMMs following DRAM controller switch. This bit has no effect when Refresh is enabled (i.e. there is no mode where Refresh is enabled but the counter does not run) So, in conjunction with bit 23 REFEN, the modes are: REFEN:REFCNTEN -- Description 0:0 -- Normal refresh disable 0:1 -- Refresh disabled, but counter is accumulating refreshes. 1:X -- Normal refresh enable.
24	RW	0b	Core	All Rank Refresh (ALLRKREF):



Bit	Access	Default Value	RST/ PWR	Description
				This configuration bit enables (by default) that all the ranks are refreshed in a staggered/atomic fashion. If set, the ranks are refreshed in an independent fashion.
23	RW	0b	Core	Refresh Enable (REFEN): Refresh is enabled. 0: Disabled 1: Enabled
22	RW	0b	Core	DDR Initialization Done (INITDONE): Indicates that DDR initialization is complete.
21:20	RW	00b	Core	DRAM Refresh Hysterisis (REFHYSTERISIS): Hysterisis level - Useful for dref_high watermark cases. The dref_high flag is set when the dref_high watermark level is exceeded, and is cleared when the refresh count is less than the hysterisis level. This bit should be set to a value less than the high watermark level. 00: 3 01: 4 10: 5 11: 6
19:18	RW	00b	Core	DRAM Refresh Panic Watermark (REFPANICWM): When the refresh count exceeds this level, a refresh request is launched to the scheduler and the dref_panic flag is set. 00: 5 01: 6 10: 7 11: 8
17:16	RW	00b	Core	DRAM Refresh High Watermark (REFHIGHWM): When the refresh count exceeds this level, a refresh request is launched to the scheduler and the dref_high flag is set. 00: 3 01: 4 10: 5 11: 6
15:14	RW	00b	Core	DRAM Refresh Low Watermark (REFLOWWM): When the refresh count exceeds this level, a refresh request is launched to the scheduler and the dref_low flag is set. 00: 1 01: 2 10: 3 11: 4
13:0	RW	00110000 110000b	Core	Refresh Counter Time Out Value (REFTIMEOUT): Program this field with a value that will provide 7.8 us at MCLK frequency. At various MCLK freq's this results in the following values: 266 MHz -> 820 hex 333 MHz -> A28 hex 400 MHz -> C30 hex 533 MHz -> 104B hex 666 MHz -> 1450 hex



1.6.15 COODTCTRL - Channel 0 ODT Control

B/D/F/Type: 0/0/0/MCHBAR
 Address Offset: 29C-29Fh
 Default Value: 00000000h
 Access: RO; RW;
 Size: 32 bits

ODT controls

Bit	Access	Default Value	RST/PWR	Description
31:12	RO	00000h	Core	Reserved ()
11:8	RW	0000b	Core	DRAM ODT for Read Commands (sd0_cr_odt_duration_rd): Specifies the duration in MDCLKs to assert DRAM ODT for Read Commands. The Async value should be used when the Dynamic Powerdown bit is set. Else use the Sync value.
7:4	RW	0000b	Core	DRAM ODT for Write Commands (sd0_cr_odt_duration_wr): Specifies the duration in MDCLKs to assert DRAM ODT for Write Commands. The Async value should be used when the Dynamic Powerdown bit is set. Else use the Sync value.
3:0	RW	0000b	Core	MCH ODT for Read Commands (sd0_cr_mchodt_duration): Specifies the duration in MDCLKs to assert MCH ODT for Read Commands



1.6.16 PMSTS - Power Management Status

B/D/F/Type: 0/0/0/MCHBAR
 Address Offset: F14-F17h
 Default Value: 00000000h
 Access: RWC/P; RO;
 Size: 32 bits

This register is Reset by PWROK only.

Bit	Access	Default Value	RST/PWR	Description
31:9	RO	000000h	Core	Reserved ()
8	RWC/P	0b	Core	<p>Warm Reset Occurred (WRO): Set by the PMunit whenever a ResetWarn is received, and cleared by PWROK=0. 0: No Warm Reset occurred. 1: Warm Reset occurred.</p> <p>BIOS Requirement: BIOS can check and clear this bit whenever executing POST code. This way BIOS knows that if the bit is set, then the PMSTS bits [1:0] must also be set, and if not BIOS needs to power-cycle the platform.</p>
7:1	RO	00h	Core	Reserved ()
0	RWC/P	0b	Core	<p>Channel 0 in Self-Refresh (COSR) Set by power management hardware after Channel 0 is placed in self refresh as a result of a Power State or a Reset Warn sequence. Cleared by Power management hardware before starting Channel 0 self refresh exit sequence initiated by a power management exit. Cleared by the BIOS by writing a "1" in a warm reset (Reset# asserted while PWROK is asserted) exit sequence. 0: Channel 0 not guaranteed to be in self refresh. 1: Channel 0 in Self Refresh.</p>



1.7 DMI BAR

Register Name	Register Symbol	Register Start	Register End	Default Value	Access
DMI Virtual Channel Enhanced Capability	DMIVCECH	0	3	04010002h	RO;
DMI Port VC Capability Register 1	DMIPVCCAP1	4	7	00000001h	RO; RWO;
DMI Port VC Capability Register 2	DMIPVCCAP2	8	B	00000000h	RO;
DMI Port VC Control	DMIPVCCTL	C	D	0000h	RO; RW;
DMI VC0 Resource Capability	DMIVC0RCAP	10	13	00000001h	RO;
DMI VC0 Resource Control	DMIVC0RCTLO	14	17	800000FFh	RO; RW;
DMI VC0 Resource Status	DMIVC0RSTS	1A	1B	0002h	RO;
DMI VC1 Resource Capability	DMIVC1RCAP	1C	1F	00008001h	RO;
DMI VC1 Resource Control	DMIVC1RCTL1	20	23	01000000h	RW; RO;
DMI VC1 Resource Status	DMIVC1RSTS	26	27	0002h	RO;
DMI Root Complex Link Declaration	DMIRCLDECH	40	43	08010005h	RO;
DMI Element Self Description	DMIESD	44	47	01000202h	RO; RWO;
DMI Link Entry 1 Description	DMILE1D	50	53	00000000h	RWO; RO;
DMI Link Entry 1 Address	DMILE1A	58	5F	0000000000000000h	RO; RWO;
DMI Link Entry 2 Description	DMILE2D	60	63	00000000h	RO; RWO;
DMI Link Entry 2 Address	DMILE2A	68	6F	0000000000000000h	RO; RWO;
DMI Root Complex Internal Link Control	DMIRCILCECH	80	83	00010006h	RO;
DMI Link Capabilities	DMILCAP	84	87	00012C41h	RO; RWO;
DMI Link Control	DMILCTL	88	89	0000h	RO; RW;



Register Name	Register Symbol	Register Start	Register End	Default Value	Access
DMI Link Status	DMILSTS	8A	8B	0001h	RO;

1.7.1 DMIVCECH - DMI Virtual Channel Enhanced Capability

B/D/F/Type: 0/0/0/DMIBAR
 Address Offset: 0-3h
 Default Value: 04010002h
 Access: RO;
 Size: 32 bits

Indicates DMI Virtual Channel capabilities.

Bit	Access	Default Value	RST/PWR	Description
31:20	RO	040h	Core	Pointer to Next Capability (PNC): This field contains the offset to the next PCI Express capability structure in the linked list of capabilities (Link Declaration Capability).
19:16	RO	1h	Core	PCI Express Virtual Channel Capability Version (PCIEVCCV): NOTE: Hardwired to 1 to indicate compliances with the 1.1 version of the PCI Express specification. This version does not change for 2.0 compliance.
15:0	RO	0002h	Core	Extended Capability ID (ECID): Value of 0002 h identifies this linked list item (capability structure) as being for PCI Express Virtual Channel registers.



1.7.2 DMIPVCCAP1 - DMI Port VC Capability Register 1

B/D/F/Type: 0/0/0/DMIBAR
Address Offset: 4-7h
Default Value: 00000001h
Access: RO; RWO;
Size: 32 bits

Describes the configuration of PCI Express Virtual Channels associated with this port.

Bit	Access	Default Value	RST/ PWR	Description
31:7	RO	0000000h	Core	Reserved ():
6:4	RO	000b	Core	Low Priority Extended VC Count (LPEVCC): Indicates the number of (extended) Virtual Channels in addition to the default VC belonging to the low-priority VC (LPVC) group that has the lowest priority with respect to other VC resources in a strict-priority VC Arbitration. The value of 0 in this field implies strict VC arbitration.
3	RO	0b	Core	Reserved ():
2:0	RWO	001b	Core	Extended VC Count (EVCC): Indicates the number of (extended) Virtual Channels in addition to the default VC supported by the device. The Private Virtual Channel is not included in this count.



1.7.3 DMIPVCCAP2 - DMI Port VC Capability Register 2

B/D/F/Type: 0/0/0/DMIBAR
 Address Offset: 8-Bh
 Default Value: 00000000h
 Access: RO;
 Size: 32 bits

Describes the configuration of PCI Express Virtual Channels associated with this port.

Bit	Access	Default Value	RST/PWR	Description
31:24	RO	00h	Core	Reserved for VC Arbitration Table Offset (RESERVED ())
23:8	RO	0000h	Core	Reserved (RESERVED ())
7:0	RO	00h	Core	Reserved for VC Arbitration Capability (VCAC)

1.7.4 DMIPVCTL - DMI Port VC Control

B/D/F/Type: 0/0/0/DMIBAR
 Address Offset: C-Dh
 Default Value: 0000h
 Access: RO; RW;
 Size: 16 bits

Bit	Access	Default Value	RST/PWR	Description
15:4	RO	000h	Core	Reserved ()
3:1	RW	000b	Core	<p>VC Arbitration Select (VCAS):</p> <p>This field will be programmed by software to the only possible value as indicated in the VC Arbitration Capability field.</p> <p>The value 000b when written to this field will indicate the VC arbitration scheme is hardware fixed (in the root complex). This field cannot be modified when more than one VC in the LPVC group is enabled.</p> <p>000: Hardware fixed arbitration scheme. E.g. Round Robin</p> <p>Others: Reserved</p> <p>See the PCI express specification for more details</p>
0	RO	0b	Core	Reserved for Load VC Arbitration Table (RESERVED ())



1.7.5 DMIVCORCAP - DMI VCO Resource Capability

B/D/F/Type: 0/0/0/DMIBAR
 Address Offset: 10-13h
 Default Value: 00000001h
 Access: RO;
 Size: 32 bits

Bit	Access	Default Value	RST/PWR	Description
31:24	RO	00h	Core	Reserved for Port Arbitration Table Offset (RESERVED ()):
23	RO	0b	Core	Reserved ()
22:16	RO	00h	Core	Reserved for Maximum Time Slots (RESERVED ()):
15	RO	0b	Core	Reject Snoop Transactions (REJSNPT): 0: Transactions with or without the No Snoop bit set within the TLP header are allowed on this VC. 1: When Set, any transaction for which the No Snoop attribute is applicable but is not Set within the TLP Header will be rejected as an Unsupported Request.
14:8	RO	00h	Core	Reserved ()
7:0	RO	01h	Core	Port Arbitration Capability (PAC): Having only bit 0 set indicates that the only supported arbitration scheme for this VC is non-configurable hardware-fixed.

1.7.6 DMIVCORCTLO - DMI VCO Resource Control

B/D/F/Type: 0/0/0/DMIBAR
 Address Offset: 14-17h
 Default Value: 800000FFh
 Access: RO; RW;
 Size: 32 bits

Controls the resources associated with PCI Express Virtual Channel 0.

Bit	Access	Default Value	RST/PWR	Description
31	RO	1b	Core	Virtual Channel 0 Enable (VCOE): For VCO this is hardwired to 1 and read only as VCO can never be disabled.
30:27	RO	0h	Core	Reserved ():
26:24	RO	000b	Core	Virtual Channel 0 ID (VCOID): Assigns a VC ID to the VC resource. For VCO this is hardwired to 0 and read only.



Bit	Access	Default Value	RST/PWR	Description
23:20	RO	0h	Core	Reserved ():
19:17	RW	000b	Core	Port Arbitration Select (PAS): Configures the VC resource to provide a particular Port Arbitration service. Valid value for this field is a number corresponding to one of the asserted bits in the Port Arbitration Capability field of the VC resource. Because only bit 0 of that field is asserted. This field will always be programmed to '1'.
16:8	RO	000h	Core	Reserved ()
7:1	RW	7Fh	Core	Traffic Class / Virtual Channel 0 Map (TCVCOM): Indicates the TCs (Traffic Classes) that are mapped to the VC resource. Bit locations within this field correspond to TC values. For example, when bit 7 is set in this field, TC7 is mapped to this VC resource. When more than one bit in this field is set, it indicates that multiple TCs are mapped to the VC resource. In order to remove one or more TCs from the TC/VC Map of an enabled VC, software must ensure that no new or outstanding transactions with the TC labels are targeted at the given Link.
0	RO	1b	Core	Traffic Class 0 / Virtual Channel 0 Map (TCOVCOM): Traffic Class 0 is always routed to VC0.

1.7.7 DMIVCORSTS - DMI VCO Resource Status

B/D/F/Type: 0/0/0/DMIBAR
 Address Offset: 1A-1Bh
 Default Value: 0002h
 Access: RO;
 Size: 16 bits

Reports the Virtual Channel specific status.

Bit	Access	Default Value	RST/PWR	Description
15:2	RO	0000h	Core	Reserved (): Reserved and Zero for future R/WC/S implementations. Software must use 0 for writes to these bits.
1	RO	1b	Core	Virtual Channel 0 Negotiation Pending (VCONP): 0: The VC negotiation is complete. 1: The VC resource is still in the process of negotiation (initialization or disabling). This bit indicates the status of the process of Flow



Bit	Access	Default Value	RST/PWR	Description
				Control initialization. It is set by default on Reset, as well as whenever the corresponding Virtual Channel is Disabled or the Link is in the DL_Down state. It is cleared when the link successfully exits the FC_INIT2 state. BIOS Requirement: Before using a Virtual Channel, software must check whether the VC Negotiation Pending fields for that Virtual Channel are cleared in both Components on a Link.
0	RO	0b	Core	Reserved ()

1.7.8 DMIVC1RCAP - DMI VC1 Resource Capability

B/D/F/Type: 0/0/0/DMIBAR
 Address Offset: 1C-1Fh
 Default Value: 00008001h
 Access: RO;
 Size: 32 bits

Bit	Access	Default Value	RST/PWR	Description
31:24	RO	00h	Core	Reserved for Port Arbitration Table Offset (RESERVED ())
23	RO	0b	Core	Reserved (RESERVED ())
22:16	RO	00h	Core	Reserved for Maximum Time Slots (RESERVED ())
15	RO	1b	Core	Reject Snoop Transactions (REJSNPT): 0: Transactions with or without the No Snoop bit set within the TLP header are allowed on this VC. 1: When Set, any transaction for which the No Snoop attribute is applicable but is not Set within the TLP Header will be rejected as an Unsupported Request.
14:8	RO	00h	Core	Reserved ()
7:0	RO	01h	Core	Port Arbitration Capability (PAC): Having only bit 0 set indicates that the only supported arbitration scheme for this VC is non-configurable hardware-fixed.



1.7.9 DMIVC1RCTL1 - DMI VC1 Resource Control

B/D/F/Type: 0/0/0/DMIBAR
 Address Offset: 20-23h
 Default Value: 01000000h
 Access: RW; RO;
 Size: 32 bits

Controls the resources associated with PCI Express Virtual Channel 1.

Bit	Access	Default Value	RST/PWR	Description
31	RW	0b	Core	<p>Virtual Channel 1 Enable (VC1E): 0: Virtual Channel is disabled. 1: Virtual Channel is enabled. See exceptions below.</p> <p>Software must use the VC Negotiation Pending bit to check whether the VC negotiation is complete. When VC Negotiation Pending bit is cleared, a 1 read from this VC Enable bit indicates that the VC is enabled (Flow Control Initialization is completed for the PCI Express port). A 0 read from this bit indicates that the Virtual Channel is currently disabled.</p> <p>BIOS Requirement:</p> <ol style="list-style-type: none"> To enable a Virtual Channel, the VC Enable bits for that Virtual Channel must be set in both Components on a Link. To disable a Virtual Channel, the VC Enable bits for that Virtual Channel must be cleared in both Components on a Link. Software must ensure that no traffic is using a Virtual Channel at the time it is disabled. Software must fully disable a Virtual Channel in both Components on a Link before re-enabling the Virtual Channel.
30:27	RO	0h	Core	Reserved ()
26:24	RW	001b	Core	<p>Virtual Channel 1 ID (VC1ID): Assigns a VC ID to the VC resource. Assigned value must be non-zero. This field cannot be modified when the VC is already enabled.</p>
23:20	RO	0h	Core	Reserved ():
19:17	RW	000b	Core	<p>Port Arbitration Select (PAS): Configures the VC resource to provide a particular Port Arbitration service. Valid value for this field is a number corresponding to one of the asserted bits in the Port Arbitration Capability field of the VC resource.</p>
16:8	RO	000h	Core	Reserved ()



Bit	Access	Default Value	RST/ PWR	Description
7:1	RW	00h	Core	Traffic Class / Virtual Channel 1 Map (TCVC1M): Indicates the TCs (Traffic Classes) that are mapped to the VC resource. Bit locations within this field correspond to TC values. For example, when bit 7 is set in this field, TC7 is mapped to this VC resource. When more than one bit in this field is set, it indicates that multiple TCs are mapped to the VC resource. In order to remove one or more TCs from the TC/VC Map of an enabled VC, software must ensure that no new or outstanding transactions with the TC labels are targeted at the given Link.
0	RO	0b	Core	Traffic Class 0 / Virtual Channel 1 Map (TC0VC1M): Traffic Class 0 is always routed to VC0.

1.7.10 DMIVC1RSTS - DMI VC1 Resource Status

B/D/F/Type: 0/0/0/DMIBAR
 Address Offset: 26-27h
 Default Value: 0002h
 Access: RO;
 Size: 16 bits

Reports the Virtual Channel specific status.

Bit	Access	Default Value	RST/ PWR	Description
15:2	RO	0000h	Core	Reserved ():
1	RO	1b	Core	Virtual Channel 1 Negotiation Pending (VC1NP): 0: The VC negotiation is complete. 1: The VC resource is still in the process of negotiation (initialization or disabling). Software may use this bit when enabling or disabling the VC. This bit indicates the status of the process of Flow Control initialization. It is set by default on Reset, as well as whenever the corresponding Virtual Channel is Disabled or the Link is in the DL_Down state. It is cleared when the link successfully exits the FC_INIT2 state. Before using a Virtual Channel, software must check whether the VC Negotiation Pending fields for that Virtual Channel are cleared in both Components on a Link.
0	RO	0b	Core	Reserved ()



1.7.11 DMIRCLDECH - DMI Root Complex Link Declaration

B/D/F/Type:	0/0/0/DMIBAR
Address Offset:	40-43h
Default Value:	08010005h
Access:	RO;
Size:	32 bits

This capability declares links from the respective element to other elements of the root complex component to which it belongs and to an element in another root complex component. See PCI Express specification for link/topology declaration requirements.

Bit	Access	Default Value	RST/PWR	Description
31:20	RO	080h	Core	Pointer to Next Capability (PNC): This field contains the offset to the next PCI Express capability structure in the linked list of capabilities (Internal Link Control Capability).
19:16	RO	1h	Core	Link Declaration Capability Version (LDCV): Hardwired to 1 to indicate compliances with the 1.1 version of the PCI Express specification. NOTE: This version does not change for 2.0 compliance.
15:0	RO	0005h	Core	Extended Capability ID (ECID): Value of 0005 h identifies this linked list item (capability structure) as being for PCI Express Link Declaration Capability.

1.7.12 DMIESD - DMI Element Self Description

B/D/F/Type:	0/0/0/DMIBAR
Address Offset:	44-47h
Default Value:	01000202h
Access:	RO; RWO;
Size:	32 bits

Provides information about the root complex element containing this Link Declaration Capability.

Bit	Access	Default Value	RST/PWR	Description
31:24	RO	01h	Core	Port Number (PORTNUM): Specifies the port number associated with this element with respect to the component that contains this element. This port number value is utilized by the egress port of the component to provide arbitration to this Root Complex Element.
23:16	RWO	00h	Core	Component ID (CID): Identifies the physical component that contains this Root Complex Element.



Bit	Access	Default Value	RST/PWR	Description
				BIOS Requirement: Must be initialized according to guidelines in the PCI Express* Isochronous/Virtual Channel Support Hardware Programming Specification (HPS).
15:8	RO	02h	Core	Number of Link Entries (NLE): Indicates the number of link entries following the Element Self Description. This field reports 2 (one for MCH egress port to main memory and one to egress port belonging to SouthBridge on other side of internal link).
7:4	RO	0h	Core	Reserved ()
3:0	RO	2h	Core	Element Type (ETYP): Indicates the type of the Root Complex Element. Value of 2 h represents an Internal Root Complex Link (DMI).

1.7.13 DMILE1D - DMI Link Entry 1 Description

B/D/F/Type: 0/0/0/DMIBAR
 Address Offset: 50-53h
 Default Value: 00000000h
 Access: RWO; RO;
 Size: 32 bits

First part of a Link Entry which declares an internal link to another Root Complex Element.

Bit	Access	Default Value	RST/PWR	Description
31:24	RWO	00h	Core	Target Port Number (TPN): Specifies the port number associated with the element targeted by this link entry (egress port of SouthBridge). The target port number is with respect to the component that contains this element as specified by the target component ID. This can be programmed by BIOS, but the default value will likely be correct because the DMI RCRB in the SouthBridge will likely be associated with the default egress port for the SouthBridge meaning it will be assigned port number 0.
23:16	RWO	00h	Core	Target Component ID (TCID): Identifies the physical component that is targeted by this link entry. BIOS Requirement: Must be initialized according to guidelines in the PCI Express* Isochronous/Virtual Channel Support Hardware Programming Specification (HPS).
15:2	RO	0000h	Core	Reserved ()



Bit	Access	Default Value	RST/PWR	Description
1	RO	0b	Core	Link Type (LTYP): Indicates that the link points to memory-mapped space (for RCRB). The link address specifies the 64-bit base address of the target RCRB.
0	RWO	0b	Core	Link Valid (LV): 0: Link Entry is not valid and will be ignored. 1: Link Entry specifies a valid link.

1.7.14 DMILE1A - DMI Link Entry 1 Address

B/D/F/Type: 0/0/0/DMIBAR
 Address Offset: 58-5Fh
 Default Value: 0000000000000000h
 Access: RO; RWO;
 Size: 64 bits

Second part of a Link Entry which declares an internal link to another Root Complex Element.

Bit	Access	Default Value	RST/PWR	Description
63:36	RO	0000000h	Core	Reserved () Reserved for Link Address high order bits.
35:12	RWO	000000h	Core	Link Address (LA): Memory mapped base address of the RCRB that is the target element (egress port of SouthBridge) for this link entry.
11:0	RO	000h	Core	Reserved (RESERVED ())



1.7.15 DMILE2D - DMI Link Entry 2 Description

B/D/F/Type: 0/0/0/DMIBAR
 Address Offset: 60-63h
 Default Value: 00000000h
 Access: RO; RWO;
 Size: 32 bits

First part of a Link Entry which declares an internal link to another Root Complex Element.

Bit	Access	Default Value	RST/PWR	Description
31:24	RO	00h	Core	Target Port Number (TPN): Specifies the port number associated with the element targeted by this link entry (Egress Port). The target port number is with respect to the component that contains this element as specified by the target component ID.
23:16	RWO	00h	Core	Target Component ID (TCID): Identifies the physical or logical component that is targeted by this link entry. BIOS Requirement: Must be initialized according to guidelines in the PCI Express* Isochronous/Virtual Channel Support Hardware Programming Specification (HPS).
15:2	RO	0000h	Core	Reserved (0)
1	RO	0b	Core	Link Type (LTYP): Indicates that the link points to memory-mapped space (for RCRB). The link address specifies the 64-bit base address of the target RCRB.
0	RWO	0b	Core	Link Valid (LV): 0: Link Entry is not valid and will be ignored. 1: Link Entry specifies a valid link.



1.7.16 DMILE2A - DMI Link Entry 2 Address

B/D/F/Type: 0/0/0/DMIBAR
 Address Offset: 68-6Fh
 Default Value: 0000000000000000h
 Access: RO; RWO;
 Size: 64 bits

Second part of a Link Entry which declares an internal link to another Root Complex Element.

Bit	Access	Default Value	RST/PWR	Description
63:36	RO	0000000h	Core	Reserved (): Reserved for Link Address high order bits.
35:12	RWO	000000h	Core	Link Address (LA): Memory mapped base address of the RCRB that is the target element (Egress Port) for this link entry.
11:0	RO	000h	Core	Reserved ()

1.7.17 DMIRCILCECH - DMI Root Complex Internal Link Control

B/D/F/Type: 0/0/0/DMIBAR
 Address Offset: 80-83h
 Default Value: 00010006h
 Access: RO;
 Size: 32 bits

This capability contains controls for the Root Complex Internal Link known as DMI.

Bit	Access	Default Value	RST/PWR	Description
31:20	RO	000h	Core	Pointer to Next Capability (PNC): This value terminates the PCI Express extended capabilities list associated with this RCRB.
19:16	RO	1h	Core	Link Declaration Capability Version (LDCV): Hardwired to 1 to indicate compliances with the 1.1 version of the PCI Express specification.
15:0	RO	0006h	Core	Extended Capability ID (ECID): Value of 0006 h identifies this linked list item (capability structure) as being for PCI Express Internal Link Control Capability.



1.7.18 DMILCAP - DMI Link Capabilities

B/D/F/Type: 0/0/0/DMIBAR
 Address Offset: 84-87h
 Default Value: 00012C41h
 Access: RO; RWO;
 Size: 32 bits

Indicates DMI specific capabilities.

Bit	Access	Default Value	RST/PWR	Description
31:18	RO	0000h	Core	Reserved ()
17:15	RWO	010b	Core	<p>L1 Exit Latency (L1SELAT): Indicates the length of time this Port requires to complete the transition from L1 to L0. The value 010 b indicates the range of 2 us to less than 4 us. 000: Less than 1 μs 001: 1 μs to less than 2 μs 010: 2 μs to less than 4 μs 011: 4 μs to less than 8 μs 100: 8 μs to less than 16 μs 101: 16 μs to less than 32 μs 110: 32 μs-64 μs 111: More than 64 μs</p> <p>Both bytes of this register that contain a portion of this field must be written simultaneously in order to prevent an intermediate (and undesired) value from ever existing.</p>
14:12	RWO	010b	Core	<p>LOs Exit Latency (LOSELAT): Indicates the length of time this Port requires to complete the transition from LOs to L0. 000: Less than 64 ns 001: 64 ns to less than 128 ns 010: 128 ns to less than 256 ns 011: 256 ns to less than 512 ns 100: 512 ns to less than 1 μs 101: 1 μs to less than 2 μs 110: 2 μs-4 μs 111: More than 4 μs</p>
11:10	RO	11b	Core	<p>Active State Link PM Support (ASLPMS): L0s & L1 entry supported.</p>
9:4	RO	04h	Core	<p>Max Link Width (MLW): Indicates the maximum number of lanes supported for this links.</p>
3:0	RO	1h	Core	<p>Max Link Speed (MLS):</p>



Bit	Access	Default Value	RST/PWR	Description
				Hardwired to indicate 2.5 Gb/s.

1.7.19 DMILCTL - DMI Link Control

B/D/F/Type: 0/0/0/DMIBAR
 Address Offset: 88-89h
 Default Value: 0000h
 Access: RO; RW;
 Size: 16 bits

Allows control of DMI.

Bit	Access	Default Value	RST/PWR	Description
15:8	RO	00h	Core	Reserved ()
7	RW	0b	Core	Extended Synch (EXTSYNC): 0: Standard Fast Training Sequence (FTS). 1: Forces the transmission of additional ordered sets when exiting the L0s state and when in the Recovery state. This mode provides external devices (e.g., logic analyzers) monitoring the Link time to achieve bit and symbol lock before the link enters L0 and resumes communication. This is a test mode only and may cause other undesired side effects such as buffer overflows or under-runs.
6:3	RO	0h	Core	Reserved ()
2	RO	0b	Core	Reserved ()
1:0	RW	00b	Core	Active State Power Management Support (ASPMS): Controls the level of active state power management supported on the given link. 00: Disabled 01: L0s Entry Supported 10: L1 Entry Supported 11: L0s and L1 Entry Supported



1.7.20 DMILSTS - DMI Link Status

B/D/F/Type: 0/0/0/DMIBAR
 Address Offset: 8A-8Bh
 Default Value: 0001h
 Access: RO;
 Size: 16 bits

Indicates DMI status.

Bit	Access	Default Value	RST/PWR	Description
15:10	RO	00h	Core	Reserved ()
9:4	RO	00h	Core	Negotiated Width (NWID): Indicates negotiated link width. This field is valid only when the link is in the L0, L0s, or L1 states (after link width negotiation is successfully completed). 00h: Reserved 01h: X1 02h: X2 04h: X4 All other encodings are reserved.
3:0	RO	1h	Core	Negotiated Speed (NSPD): Indicates negotiated link speed. 1h: 2.5 Gb/s All other encodings are reserved.

1.8 EPBAR

Register Name	Register Symbol	Register Start	Register End	Default Value	Access
EP Element Self Description	EPESD	44	47	00000201h	RO; RWO;
EP Link Entry 1 Description	EPLE1D	50	53	01000000h	RO; RWO;
EP Link Entry 1 Address	EPLE1A	58	5F	0000000000000000h	RO; RWO;
EP Link Entry 2 Description	EPLE2D	60	63	02000002h	RO; RWO;
EP Link Entry 2 Address	EPLE2A	68	6F	0000000000000080h	RO;



1.8.1 EPESD - EP Element Self Description

B/D/F/Type: 0/0/0/PXPEPBAR
 Address Offset: 44-47h
 Default Value: 00000201h
 Access: RO; RWO;
 Size: 32 bits

Provides information about the root complex element containing this Link Declaration Capability.

Bit	Access	Default Value	RST/PWR	Description
31:24	RO	00h	Core	Port Number (PN) This field specifies the port number associated with this element with respect to the component that contains this element. Value of 00 h indicates to configuration software that this is the default egress port.
23:16	RWO	00h	Core	Component ID (CID) Identifies the physical component that contains this Root Complex Element. BIOS Requirement: Must be initialized according to guidelines in the PCI Express* Isochronous/Virtual Channel Support Hardware Programming Specification (HPS).
15:8	RO	02h	Core	Number of Link Entries (NLE): Indicates the number of link entries following the Element Self Description. This field reports 2 (one each for PEG and DMI).
7:4	RO	0h	Core	Reserved ()
3:0	RO	1h	Core	Element Type (ET) Indicates the type of the Root Complex Element. Value of 1 h represents a port to system memory.



1.8.2 EPLE1D - EP Link Entry 1 Description

B/D/F/Type: 0/0/0/PXPEPBAR
 Address Offset: 50-53h
 Default Value: 01000000h
 Access: RO; RWO;
 Size: 32 bits

First part of a Link Entry which declares an internal link to another Root Complex Element.

Bit	Access	Default Value	RST/PWR	Description
31:24	RO	01h	Core	Target Port Number (TPN): Specifies the port number associated with the element targeted by this link entry (DMI). The target port number is with respect to the component that contains this element as specified by the target component ID.
23:16	RWO	00h	Core	Target Component ID (TCID): Identifies the physical or logical component that is targeted by this link entry. BIOS Requirement: Must be initialized according to guidelines in the PCI Express* Isochronous/Virtual Channel Support Hardware Programming Specification (HPS).
15:2	RO	0000h	Core	Reserved 0
1	RO	0b	Core	Link Type (LTYP): Indicates that the link points to memory-mapped space (for RCRB). The link address specifies the 64-bit base address of the target RCRB.
0	RWO	0b	Core	Link Valid (LV): 0: Link Entry is not valid and will be ignored. 1: Link Entry specifies a valid link.



1.8.3 EPLE1A - EP Link Entry 1 Address

B/D/F/Type: 0/0/0/PXPEPBAR
 Address Offset: 58-5Fh
 Default Value: 0000000000000000h
 Access: RO; RWO;
 Size: 64 bits

Second part of a Link Entry which declares an internal link to another Root Complex Element.

Bit	Access	Default Value	RST/PWR	Description
63:36	RO	0000000h	Core	Reserved (): Reserved for Link Address high order bits.
35:12	RWO	000000h	Core	Link Address (LA): Memory mapped base address of the RCRB that is the target element (DMI) for this link entry.
11:0	RO	000h	Core	Reserved ()

1.8.4 EPLE2D - EP Link Entry 2 Description

B/D/F/Type: 0/0/0/PXPEPBAR
 Address Offset: 60-63h
 Default Value: 02000002h
 Access: RO; RWO;
 Size: 32 bits

First part of a Link Entry which declares an internal link to another Root Complex Element.

Bit	Access	Default Value	RST/PWR	Description
31:24	RO	02h	Core	Target Port Number (TPN): Specifies the port number associated with the element targeted by this link entry (PEG). The target port number is with respect to the component that contains this element as specified by the target component ID.
23:16	RWO	00h	Core	Target Component ID (TCID): Identifies the physical or logical component that is targeted by this link entry. A value of 0 is reserved. Component IDs start at 1. This value is a mirror of the value in the Component ID field of all elements in this component. BIOS Requirement: Must be initialized according to guidelines in the PCI Express* Isochronous/Virtual Channel Support Hardware Programming Specification (HPS).
15:2	RO	0000h	Core	Reserved ():



Bit	Access	Default Value	RST/PWR	Description
1	RO	1b	Core	Link Type (LTYP): Indicates that the link points to configuration space of the integrated device, which controls the x16 root port. The link address specifies the configuration address (segment, bus, device, function) of the target root port.
0	RWO	0b	Core	Link Valid (LV): 0: Link Entry is not valid and will be ignored. 1: Link Entry specifies a valid link.

1.8.5 EPLE2A - EP Link Entry 2 Address

B/D/F/Type: 0/0/0/PXPEPBAR
 Address Offset: 68-6Fh
 Default Value: 0000000000008000h
 Access: RO;
 Size: 64 bits

Second part of a Link Entry which declares an internal link to another Root Complex Element.

Bit	Access	Default Value	RST/PWR	Description
63:28	RO	00000000 0h	Core	Reserved for Configuration Space Base Address (): Not required if root complex has only one config space.
27:20	RO	00h	Core	Bus Number (BUSN):
19:15	RO	00001b	Core	RESERVED ()
14:12	RO	000b	Core	Function Number (FUNN):
11:0	RO	000h	Core	Reserved ():

1.9 PCI Device 2 Function 0

Register Name	Register Symbol	Register Start	Register End	Default Value	Access
Vendor Identification	VID2	0	1	8086h	RO;
Device Identification	DID	2	3	A001h	RO;
PCI Command	PCICMD2	4	5	0000h	RO; RW;
PCI Status	PCISTS2	6	7	0090h	RO;
Revision Identification	RID2	8	8	02h	RO;



Register Name	Register Symbol	Register Start	Register End	Default Value	Access
Class Code	CC	9	B	030000h	RO;
Cache Line Size	CLS	C	C	00h	RO;
Master Latency Timer	MLT2	D	D	00h	RO;
Header Type	HDR2	E	E	80h	RO;
Memory Mapped Range Address	MMADR	10	13	00000000h	RO; RW;
I/O Base Address	IOBAR	14	17	00000001h	RO; RW;
Graphics Memory Range Address	GMADR	18	1B	00000008h	RO; RW; RW/L;
Graphics Translation Table Range Address	GTTADR	1C	1F	00000000h	RO; RW;
Subsystem Vendor Identification	SVID2	2C	2D	0000h	RWO;
Subsystem Identification	SID2	2E	2F	0000h	RWO;
Video BIOS ROM Base Address	ROMADR	30	33	00000000h	RO;
Capabilities Pointer	CAPPOINT	34	34	90h	RO;
Interrupt Line	INTRLINE	3C	3C	00h	RW;
Interrupt Pin	INTRPIN	3D	3D	01h	RO;
Minimum Grant	MINGNT	3E	3E	00h	RO;
Maximum Latency	MAXLAT	3F	3F	00h	RO;
Mirror of Device 0 Capability Identifier	CAPID0	40	47	00000000 1080009h	RO;
GMCH Graphics Control Register	MGGC	52	53	0030h	RO;
Device Enable	DEVEN	54	57	00000019h	RO;



Register Name	Register Symbol	Register Start	Register End	Default Value	Access
Software Scratch Read Write	SSRW	58	5B	00000000h	RW;
Base of Stolen Memory	BSM	5C	5F	00000000h	RO;
Hardware Scratch Read Write	HSRW	60	61	0000h	RW;
Multi Size Aperture Control	MSAC	62	62	01h	RW; RO; RW/K;
Secondary CWB Flush Control	SCWBFC	68	6F	00000000 00000000h	W;
Capabilities List Control	CAPL	7F	7F	00h	RO; RW;
Message Signaled Interrupts Capability ID	MSI_CAPID	90	91	D005h	RO;
Message Control	MC	92	93	0000h	RO; RW;
Message Address	MA	94	97	00000000h	RW; RO;
Message Data	MD	98	99	0000h	RW;
Graphics Debug Reset	GDRST	C0	C0	00h	RO; RW;
Power Management Capabilities ID	PMCAPID	D0	D1	0001h	RWO; RO;
Power Management Capabilities	PMCAP	D2	D3	0022h	RO;
Power Management Control/Status	PMCS	D4	D5	0000h	RO; RW;
Software SMI	SWSMI	E0	E1	0000h	RW;
LBB-Legacy Backlight Brightness	LBB	F4	F7	00000000h	RW;



1.9.1 VID2 - Vendor Identification

B/D/F/Type: 0/2/0/PCI
 Address Offset: 0-1h
 Default Value: 8086h
 Access: RO;
 Size: 16 bits

This register combined with the Device Identification register uniquely identifies any PCI device.

Bit	Access	Default Value	RST/PWR	Description
15:0	RO	8086h	Core	Vendor Identification Number (VID): PCI standard identification for Intel.

1.9.2 DID - Device Identification

B/D/F/Type: 0/2/0/PCI
 Address Offset: 2-3h
 Default Value: A001h
 Access: RO;
 Size: 16 bits

This register combined with the Vendor Identification register uniquely identifies any PCI device.

Bit	Access	Default Value	RST/PWR	Description
15:0	RO	A001h	Core	Device Identification Number (DID): Device Identification Number (DID): This is a 16 bit value Identifier assigned to the CPU Uncore core/primary PCI device. DT =A001h MB =A011h



1.9.3 PCICMD2 - PCI Command

B/D/F/Type: 0/2/0/PCI
 Address Offset: 4-5h
 Default Value: 0000h
 Access: RO; RW;
 Size: 16 bits

This 16-bit register provides basic control over the IGD's ability to respond to PCI cycles. The PCICMD Register in the IGD disables the IGD PCI compliant master accesses to main memory.

Bit	Access	Default Value	Description
15:11	RO	00h	Reserved (0):
10	RW	0b	Interrupt Disable (INTDIS): This bit disables the device from asserting INTx#. 0: Enable the assertion of this device's INTx# signal. 1: Disable the assertion of this device's INTx# signal. DO_INTx messages will not be sent to DMI.
9	RO	0b	Fast Back-to-Back (FB2B): Not Implemented. Hardwired to 0.
8	RO	0b	SERR Enable (SERRE): Not Implemented. Hardwired to 0.
7	RO	0b	Address/Data Stepping Enable (ADSTEP): Not Implemented. Hardwired to 0.
6	RO	0b	Parity Error Enable (PERRE): Not Implemented. Hardwired to 0. Since the IGD belongs to the category of devices that does not corrupt programs or data in system memory or hard drives, the IGD ignores any parity error that it detects and continues with normal operation.
5	RO	0b	Video Palette Snooping (VPS): This bit is hardwired to 0 to disable snooping.
4	RO	0b	Memory Write and Invalidate Enable (MWIE): Hardwired to 0. The IGD does not support memory write and invalidate commands.
3	RO	0b	Special Cycle Enable (SCE): This bit is hardwired to 0. The IGD ignores Special cycles.
2	RW	0b	Bus Master Enable (BME): This bit controls the IGD's response to bus master accesses. 0: Disable IGD bus mastering. 1: Enable the IGD to function as a PCI compliant master.



Bit	Access	Default Value	Description
1	RW	0b	Memory Access Enable (MAE): This bit controls the IGD's response to memory space accesses. 0: Disable. 1: Enable.
0	RW	0b	I/O Access Enable (IOAE): This bit controls the IGD's response to I/O space accesses. 0: Disable. 1: Enable.

1.9.4 PCISTS2 - PCI Status

B/D/F/Type: 0/2/0/PCI
 Address Offset: 6-7h
 Default Value: 0090h
 Access: RO;
 Size: 16 bits

PCISTS is a 16-bit status register that reports the occurrence of a PCI compliant master abort and PCI compliant target abort.

PCISTS also indicates the DEVSEL# timing that has been set by the IGD.

Bit	Access	Default Value	Description
15	RO	0b	Detected Parity Error (DPE): Since the IGD does not detect parity, this bit is always hardwired to 0.
14	RO	0b	Signaled System Error (SSE): The IGD never asserts SERR#, therefore this bit is hardwired to 0.
13	RO	0b	Received Master Abort Status (RMAS): The IGD never gets a Master Abort, therefore this bit is hardwired to 0.
12	RO	0b	Received Target Abort Status (RTAS): The IGD never gets a Target Abort, therefore this bit is hardwired to 0.
11	RO	0b	Signaled Target Abort Status (STAS): Hardwired to 0. The IGD does not use target abort semantics.
10:9	RO	00b	DEVSEL Timing (DEVT): N/A. These bits are hardwired to "00".



Bit	Access	Default Value	Description
8	RO	0b	Master Data Parity Error Detected (DPD): Since Parity Error Response is hardwired to disabled (and the IGD does not do any parity detection), this bit is hardwired to 0.
7	RO	1b	Fast Back-to-Back (FB2B): Hardwired to 1. The IGD accepts fast back-to-back when the transactions are not to the same agent.
6	RO	0b	User Defined Format (UDF): Hardwired to 0.
5	RO	0b	66 MHz PCI Capable (66C): N/A - Hardwired to 0.
4	RO	1b	Capability List (CLIST): This bit is set to 1 to indicate that the register at 34h provides an offset into the function's PCI Configuration Space containing a pointer to the location of the first item in the list.
3	RO	0b	Interrupt Status (INTSTS): This bit reflects the state of the interrupt in the device. Only when the Interrupt Disable bit in the command register is a 0 and this Interrupt Status bit is a 1, will the devices INTx# signal be asserted.
2:0	RO	000b	Reserved ():

1.9.5 RID2 - Revision Identification

B/D/F/Type: 0/2/0/PCI
 Address Offset: 8h
 Default Value: 02h
 Access: RO;
 Size: 8 bits

This register contains the revision number for Device #2 Functions 0 and 1.

Bit	Access	Default Value	Description
7:0	RO	02h	Revision Identification Number (RID): This is an 8-bit value that indicates the revision identification number for the CPU Uncore Device 0. For the A-0 Stepping, this value is 00h. 00h: A-0 01h: A-1 02h: B-0



1.9.6 CC - Class Code

B/D/F/Type: 0/2/0/PCI
 Address Offset: 9-Bh
 Default Value: 030000h
 Access: RO;
 Size: 24 bits

This register contains the device programming interface information related to the Sub-Class Code and Base Class Code definition for the IGD. This register also contains the Base Class Code and the function sub-class in relation to the Base Class Code.

Bit	Access	Default Value	Description
23:16	RO	03h	Base Class Code (BCC): This is an 8-bit value that indicates the base class code for the CPU Uncore. This code has the value 03h, indicating a Display Controller.
15:8	RO	00h	Sub-Class Code (SUBCC): Value will be determined based on Device 0 GGC register, GMS and IVD fields. 00h: VGA compatible 80h: Non VGA (GMS = "0000" or IVD = "1")
7:0	RO	00h	Programming Interface (PI): 00h: Hardwired as a Display controller.

1.9.7 CLS - Cache Line Size

B/D/F/Type: 0/2/0/PCI
 Address Offset: Ch
 Default Value: 00h
 Access: RO;
 Size: 8 bits

The IGD does not support this register as a PCI slave.

Bit	Access	Default Value	Description
7:0	RO	00h	Cache Line Size (CLS): This field is hardwired to 0s. The IGD as a PCI compliant master does not use the Memory Write and Invalidate command and, in general, does not perform operations based on cache line size.



1.9.8 MLT2 - Master Latency Timer

B/D/F/Type: 0/2/0/PCI
 Address Offset: Dh
 Default Value: 00h
 Access: RO;
 Size: 8 bits

The IGD does not support the programmability of the master latency timer because it does not perform bursts.

Bit	Access	Default Value	Description
7:0	RO	00h	Master Latency Timer Count Value (MLTCV): Hardwired to 0s.

1.9.9 HDR2 - Header Type

B/D/F/Type: 0/2/0/PCI
 Address Offset: Eh
 Default Value: 80h
 Access: RO;
 Size: 8 bits

This register contains the Header Type of the IGD.

Bit	Access	Default Value	Description
7	RO	1b	Multi Function Status (MFUNC): Indicates if the device is a Multi-Function Device. The Value of this register is determined by Device #0, offset 54h, DEVEN[4]. If Device #0 DEVEN[4] is set, the MFUNC bit is also set.
6:0	RO	00h	Header Code (H): This is a 7-bit value that indicates the Header Code for the IGD. This code has the value 00h, indicating a type 0 configuration space format.

1.9.10 MMADR - Memory Mapped Range Address

B/D/F/Type: 0/2/0/PCI
 Address Offset: 10-13h
 Default Value: 00000000h
 Access: RO; RW;
 Size: 32 bits

This register requests allocation for the IGD registers and instruction ports. The allocation is for 512 KB and the base address is defined by bits [31:19].



Bit	Access	Default Value	Description
31:19	RW	0000h	Memory Base Address (MBA): Set by the OS, these bits correspond to address signals [31:19].
18:4	RO	0000h	Address Mask (ADM): Hardwired to 0s to indicate 512 KB address range.
3	RO	0b	Prefetchable Memory (PREFMEM): Hardwired to 0 to prevent prefetching.
2:1	RO	00b	Memory Type (MEMTYP): Hardwired to 0s to indicate 32-bit address.
0	RO	0b	Memory / IO Space (MIOS): Hardwired to 0 to indicate memory space.

1.9.11 IOBAR - I/O Base Address

B/D/F/Type:	0/2/0/PCI
Address Offset:	14-17h
Default Value:	00000001h
Access:	RO; RW;
Size:	32 bits

This register provides the Base offset of the I/O registers within Device #2. Bits 15:3 are programmable allowing the I/O Base to be located anywhere in 16bit I/O Address Space. Bits 2:1 are fixed and return zero, bit 0 is hardwired to a one indicating that 8 bytes of I/O space are decoded. Access to the 8Bs of IO space is allowed in PM state D0 when IO Enable (PCICMD bit 0) set. Access is disallowed in PM states D1-D3 or if IO Enable is clear or if Device #2 is turned off or if Internal graphics is disabled.

Note that access to this IO BAR is independent of VGA functionality within Device #2. Also note that this mechanism is available only through function 0 of Device#2 and is not duplicated in function #1.

If accesses to this IO bar is allowed then the CPU Uncore claims all 8, 16 or 32 bit IO cycles from the CPU that falls within the 8B claimed.

Bit	Access	Default Value	Description
31:16	RO	0000h	Reserved (0): Read as "0", these bits correspond to address signals [31:16].
15:3	RW	0000h	IO Base Address (IOBASE): Set by the OS, these bits correspond to address signals [15:3].
2:1	RO	00b	Memory Type (MEMTYPE): Hardwired to 0s to indicate 32-bit address.
0	RO	1b	Memory/IO Space (MIOS): Hardwired to "1" to indicate IO space.



1.9.12 GMADR - Graphics Memory Range Address

B/D/F/Type: 0/2/0/PCI
Address Offset: 18-1Bh
Default Value: 00000008h
Access: RO; RW; RW/L;
Size: 32 bits

IGD graphics memory base address is specified in this register.

Bit	Access	Default Value	Description
31:29	RW	000b	Memory Base Address (MBA): Set by the OS, these bits correspond to address signals [31:29].
28	RW/L	0b	512MB Address Mask (512ADMSK): This Bit is either part of the Memory Base Address (R/W) or part of the Address Mask (RO), depending on the value of MSAC[1:0]. See MSAC (Dev2, Func 0, offset 62h) for details.
27	RW/L	0b	256 MB Address Mask (256ADMSK): This bit is either part of the Memory Base Address (R/W) or part of the Address Mask (RO), depending on the value of MSAC[1:0]. See MSAC (Dev 2, Func 0, offset 62h) for details.
26:4	RO	000000h	Address Mask (ADM): Hardwired to 0s to indicate at least 128MB address range.
3	RO	1b	Prefetchable Memory (PREFMEM): Hardwired to 1 to enable prefetching.
2:1	RO	00b	Memory Type (MEMTYP): Hardwired to 0 to indicate 32-bit address.
0	RO	0b	Memory/IO Space (MIOS): Hardwired to 0 to indicate memory space.



1.9.13 GTTADR - Graphics Translation Table Range Address

B/D/F/Type: 0/2/0/PCI
 Address Offset: 1C-1Fh
 Default Value: 00000000h
 Access: RO; RW;
 Size: 32 bits

This register requests allocation for Graphics Translation Table Range. The allocation is for 1 MB and the base address is defined by bits [31:20].

Bit	Access	Default Value	Description
31:20	RW	000h	Memory Base Address (MBA): Set by the OS, these bits correspond to address signals [31:20].
19:4	RO	0000h	Address Mask (ADMSK): Hardwired to 0s to indicate a 1 MB address range.
3	RO	0b	Prefetchable Memory (PREFMEM): Hardwired to 0 to prevent prefetching.
2:1	RO	00b	Memory Type (MEMTYP): Hardwired to 0s to indicate 32-bit address.
0	RO	0b	Memory/IO Space (MIOS): Hardwired to 0 to indicate memory space.

1.9.14 SVID2 - Subsystem Vendor Identification

B/D/F/Type: 0/2/0/PCI
 Address Offset: 2C-2Dh
 Default Value: 0000h
 Access: RWO;
 Size: 16 bits

Bit	Access	Default Value	Description
15:0	RWO	0000h	Subsystem Vendor ID (SUBVID): This value is used to identify the vendor of the subsystem. This register should be programmed by BIOS during boot-up. Once written, this register becomes Read_Only. This register can only be cleared by a Reset.



1.9.15 SID2 - Subsystem Identification

B/D/F/Type: 0/2/0/PCI
Address Offset: 2E-2Fh
Default Value: 0000h
Access: RWO;
Size: 16 bits

Bit	Access	Default Value	Description
15:0	RWO	0000h	Subsystem Identification (SUBID): This value is used to identify a particular subsystem. This field should be programmed by BIOS during boot-up. Once written, this register becomes Read_Only. This register can only be cleared by a Reset.

1.9.16 ROMADR - Video BIOS ROM Base Address

B/D/F/Type: 0/2/0/PCI
Address Offset: 30-33h
Default Value: 00000000h
Access: RO;
Size: 32 bits

The IGD does not use a separate BIOS ROM, therefore this register is hardwired to 0s.

Bit	Access	Default Value	Description
31:18	RO	0000h	ROM Base Address (RBA): Hardwired to 0's.
17:11	RO	00h	Address Mask (ADMSK): Hardwired to 0s to indicate 256 KB address range.
10:1	RO	000h	Reserved (): Hardwired to 0s.
0	RO	0b	ROM BIOS Enable (RBE): 0: ROM not accessible.



1.9.17 CAPPOINT - Capabilities Pointer

B/D/F/Type: 0/2/0/PCI
 Address Offset: 34h
 Default Value: 90h
 Access: RO;
 Size: 8 bits

Bit	Access	Default Value	Description
7:0	RO	90h	<p>Capabilities Pointer Value (CPV): This field contains an offset into the function's PCI Configuration Space for the first item in the New Capabilities Linked List, the MSI Capabilities ID registers at address 90h or the Power Management capability at D0h. This value is determined by the configuration in CAPL[0].</p>

1.9.18 INTRLIN - Interrupt Line

B/D/F/Type: 0/2/0/PCI
 Address Offset: 3Ch
 Default Value: 00h
 Access: RW;
 Size: 8 bits

Bit	Access	Default Value	Description
7:0	RW	00h	<p>Interrupt Connection (INTCON): Used to communicate interrupt line routing information. POST software writes the routing information into this register as it initializes and configures the system. The value in this register indicates to which input of the system interrupt controller the device's interrupt pin is connected.</p>



1.9.19 INTRPIN - Interrupt Pin

B/D/F/Type: 0/2/0/PCI
Address Offset: 3Dh
Default Value: 01h
Access: RO;
Size: 8 bits

Bit	Access	Default Value	Description
7:0	RO	01h	Interrupt Pin (INTRPIN): As a single function device, the IGD specifies INTA# as its interrupt pin. 01h: INTA#.

1.9.20 MINGNT - Minimum Grant

B/D/F/Type: 0/2/0/PCI
Address Offset: 3Eh
Default Value: 00h
Access: RO;
Size: 8 bits

Bit	Access	Default Value	Description
7:0	RO	00h	Minimum Grant Value (MGV): The IGD does not burst as a PCI compliant master.

1.9.21 MAXLAT - Maximum Latency

B/D/F/Type: 0/2/0/PCI
Address Offset: 3Fh
Default Value: 00h
Access: RO;
Size: 8 bits

Bit	Access	Default Value	Description
7:0	RO	00h	Maximum Latency Value (MLV): The IGD has no specific requirements for how often it needs to access the PCI bus.



1.9.22 CAPID0 - Mirror of Device 0 Capability Identifier

B/D/F/Type: 0/2/0/PCI
 Address Offset: 40-47h
 Default Value: 0000000001080009h
 Access: RO;
 Size: 64 bits

Bit	Access	Default Value	Description
63:61	RO	000b	RESERVED ()
60	RO	0b	RESERVED ()
59	RO	0b	RESERVED ()
58	RO	0b	RESERVED ()
57:55	RO	000b	Capability Device ID (CDID): Identifier assigned to CPU primary PCI device. The device IDs for CPU family are: Identifier assigned to CPU primary PCI device. The device IDs for CPU family are: A00X: Desktop A01X: Mobile The corresponding three bit capability ID programming is 000 Desktop 001 Mobile
54:51	RO	0000b	Compatibility Rev ID (CRID): This is an 8-bit value that indicates the revision identification number for CPU Device 0. For the A-0 Stepping, this value is 00h.
50	RO	0b	RESERVED ()
49	RO	0b	RESERVED ()
48	RO	0b	RESERVED ()
47	RO	0b	RESERVED ()
46	RO	0b	RESERVED ()
45	RO	0b	Reserved ():
44	RO	0b	RESERVED ()
43	RO	0b	RESERVED ()
42	RO	0b	RESERVED ()
41	RO	0b	Reserved ():
40	RO	0b	RESERVED ()



Bit	Access	Default Value	Description
39	RO	0b	RESERVED ()
38	RO	0b	RESERVED ()
37:35	RO	000b	Reserved ():
34	RO	0b	RESERVED ()
33:31	RO	000b	<p>DDR Frequency Capability (DDRFC): This field controls which values may be written to the Memory Frequency Select field 6:4 of the Clocking Configuration registers (MCHBAR Offset C00h). Any attempt to write an unsupported value will be ignored.</p> <p>000: Capable of "All" memory frequencies 001: Reserved 010: Reserved 011: Reserved 100: RESERVED () 101: Capable of up to DDR2 800 110: Capable of up to DDR2 667 111: RESERVED ()</p>
30:28	RO	000b	RESERVED ()
27:24	RO	1h	<p>CAPID Version (CAPIDV): This field has the value 0001b to identify the first revision of the CAPID register definition.</p>
23:16	RO	08h	<p>CAPID Length (CAPIDL): This field has the value 08h to indicate the structure length (8 bytes).</p>
15:8	RO	00h	<p>Next Capability Pointer (NCP): This field is hardwired to 00h indicating the end of the capabilities linked list.</p>
7:0	RO	09h	<p>Capability Identifier (CAP_ID): This field has the value 1001b to identify the CAP_ID assigned by the PCI SIG for vendor dependent capability pointers.</p>

1.9.23 MGGC - GMCH Graphics Control Register

B/D/F/Type: 0/2/0/PCI
 Address Offset: 52-53h
 Default Value: 0030h
 Access: RO;
 Size: 16 bits

Bit	Access	Default Value	Description
15:10	RO	00h	Reserved ():



Bit	Access	Default Value	Description
9:8	RO	0h	<p>GTT Graphics Memory Size (GGMS): This field is used to select the amount of Main Memory that is pre-allocated to support the Internal Graphics Translation Table. The BIOS ensures that memory is pre-allocated only when Internal graphics is enabled.</p> <p>00: No memory pre-allocated. GTT cycles (Mem and IO) are not claimed. 01: 1 MB of memory pre-allocated for GTT. 10: Reserved 11: Reserved</p> <p>Note: This register is locked and becomes Read Only when the D_LCK bit in the SMRAM register is set.</p>
7:4	RO	0011b	<p>Graphics Mode Select (GMS): This field is used to select the amount of Main Memory that is pre-allocated to support the Internal Graphics device in VGA (non-linear) and Native (linear) modes. The BIOS ensures that memory is pre-allocated only when Internal graphics is enabled.</p> <p>0000: No memory pre-allocated. Device 2 (IGD) does not claim VGA cycles (Mem and IO), and the Sub-Class Code field within Device 2 function 0 Class Code register is 80. 0001: DVMT (UMA) mode, 1 MB of memory pre-allocated for frame buffer. 0011: DVMT (UMA) mode, 8 MB of memory pre-allocated for frame buffer.</p> <p>NOTE: This register is locked and becomes Read Only when the D_LCK bit in the SMRAM register is set.</p> <p>BIOS Requirement: BIOS must not set this field to 000 if IVD (bit 1 of this register) is 0.</p>
3:2	RO	00b	Reserved (0):
1	RO	0b	<p>IGD VGA Disable (IVD): 0: Enable. Device 2 (IGD) claims VGA memory and IO cycles, the Sub-Class Code within Device 2 Class Code register is 00. 1: Disable. Device 2 (IGD) does not claim VGA cycles (Mem and IO), and the Sub- Class Code field within Device 2 function 0 Class Code register is 80.</p> <p>BIOS Requirement: BIOS must not set this bit to 0 if the GMS field (bits 6:4 of this register) pre-allocates no memory. This bit MUST be set to 1 if Device 2 is disabled.</p>
0	RO	0b	Reserved (0):



1.9.24 DEVEN - Device Enable

B/D/F/Type: 0/2/0/PCI
 Address Offset: 54-57h
 Default Value: 00000019h
 Access: RO;
 Size: 32 bits

Allows for enabling/disabling of PCI devices and functions that are within the CPU Uncore. The table below the bit definitions describes the behavior of all combinations of transactions to devices controlled by this register.

Bit	Access	Default Value	Description
31:15	RO	00000h	Reserved ()
14	RO	0b	RESERVED ()
13:5	RO	000h	Reserved ():
4	RO	1b	<p>Internal Graphics Engine Function 1 (D2F1EN): 0: Bus 0 Device 2 Function 1 is disabled and hidden 1: Bus 0 Device 2 Function 1 is enabled and visible</p> <p>If Device 2 Function 0 is disabled and hidden, then Device 2 Function 1 is also disabled and hidden independent of the state of this bit.</p> <p>If this component is not capable of Dual Independent Display (CAPID0[40] = 1) then this bit is hardwired to 0b to hide Device 2 Function 1.</p>
3	RO	1b	<p>Internal Graphics Engine Function 0 (D2FOEN): 0: Bus 0 Device 2 Function 0 is disabled and hidden 1: Bus 0 Device 2 Function 0 is enabled and visible</p> <p>If this CPU Uncore does not have internal graphics capability (CAPID0[46] = 1) then Device 2 Function 0 is disabled and hidden independent of the state of this bit.</p>
2:1	RO	00b	Reserved ():
0	RO	1b	<p>Host Bridge (DOEN): Bus 0 Device 0 Function 0 may not be disabled and is therefore hardwired to 1.</p>



1.9.25 SSRW - Software Scratch Read Write

B/D/F/Type: 0/2/0/PCI
 Address Offset: 58-5Bh
 Default Value: 00000000h
 Access: RW;
 Size: 32 bits

Bit	Access	Default Value	Description
31:0	RW	00000000h	Reserved R/W (0):

1.9.26 BSM - Base of Stolen Memory

B/D/F/Type: 0/2/0/PCI
 Address Offset: 5C-5Fh
 Default Value: 00000000h
 Access: RO;
 Size: 32 bits

Graphics Stolen Memory and Tseg are within DRAM space defined under TOLUD. From the top of low used DRAM, CPU Uncore claims 1 to 64MBs of DRAM for internal graphics if enabled.

The base of stolen memory will always be below 4G. This is required to prevent aliasing between stolen range and the reclaim region.

Bit	Access	Default Value	Description
31:20	RO	000h	Base of Stolen Memory (BSM): This register contains bits 31 to 20 of the base address of stolen DRAM memory. The host interface determines the base of Graphics Stolen memory by subtracting the graphics stolen memory size from TOLUD. See Device 0 TOLUD for more explanation.
19:0	RO	00000h	Reserved (0):



1.9.27 HSRW - Hardware Scratch Read Write

B/D/F/Type: 0/2/0/PCI
Address Offset: 60-61h
Default Value: 0000h
Access: RW;
Size: 16 bits

Bit	Access	Default Value	Description
15:0	RW	0000h	Reserved R/W ():

1.9.28 MSAC - Multi Size Aperture Control

B/D/F/Type: 0/2/0/PCI
Address Offset: 62h
Default Value: 01h
Access: RW; RO; RW/K;
Size: 8 bits

This register determines the size of the graphics memory aperture in function 0 and in the trusted space. Only the system BIOS will write this register based on pre- boot address allocation efforts, but the graphics may read this register to determine the correct aperture size. System BIOS needs to save this value on boot so that it can reset it correctly during S3 resume.

Bit	Access	Default Value	Description
7:4	RW	0h	Reserved R/W (): Scratch Bits Only -- Have no physical effect on hardware
3:2	RO	00b	Reserved ():
1:0	RW/K	01b	Untrusted Aperture Size (LHSAS): 00: Reserved 01: 512MB. Bit 28 and 27 of GMADR are read-only, allowing 512 MB of address space to be mapped. 10: 256MB. Bit 28 of GMADR is read-write and bit 27 of GMADR is read-only, limiting the address space to 256MB. 11: 128MB. Bits 28 and 27 of GMADR are read-write, allowing 128 MB of address space to be mapped.



1.9.29 SCWBFC - Secondary CWB Flush Control

B/D/F/Type: 0/2/0/PCI
 Address Offset: 68-6Fh
 Default Value: 0000000000000000h
 Access: W;
 Size: 64 bits

A CPU Dword/Qword write to this space flushes the Secondary CWB/DWB of all writes. The data is discarded. A CPU read to this space may result in a system hang.

This register is for hardware debug purposes only. This is not relevant for software.

All the data stored in the secondary CWB is flushed to memory before a write to this page is completed on the Front side bus. The write data is discarded.

All transactions from the CPU that follow are not processed by the chipset till the "flush write" completes creating a fence beyond which coherency is guaranteed.

A read to this page does not flush the primary CWB/DWB and returns Zeros.

Bit	Access	Default Value	Description
63:0	W	00000000 00000000 h	Secondary CWB Flush Control (SCWBFC): A CPU Dword/Qword write to this space flushes the Secondary CWB/DWB of all writes. The data is discarded. A CPU read to this space may result in a system hang.

1.9.30 MSI_CAPID - Message Signaled Interrupts Capability ID

B/D/F/Type: 0/2/0/PCI
 Address Offset: 90-91h
 Default Value: D005h
 Access: RO;
 Size: 16 bits

When a device supports MSI it can generate an interrupt request to the processor by writing a predefined data item (a message) to a predefined memory address. The reporting of the existence of this capability can be disabled by setting MSICH (CAPL[0] @ 7Fh). In that case walking this linked list will skip this capability and instead go directly to the PCI PM capability.

Bit	Access	Default Value	Description
15:8	RO	D0h	Pointer to Next Capability (POINTNEXT): This contains a pointer to the next item in the capabilities list which is the Power Management capability.
7:0	RO	05h	Capability ID (CAPID): Value of 05h identifies this linked list item (capability structure) as being for MSI registers.



1.9.31 MC - Message Control

B/D/F/Type: 0/2/0/PCI
 Address Offset: 92-93h
 Default Value: 0000h
 Access: RO; RW;
 Size: 16 bits

System software can modify bits in this register, but the device is prohibited from doing so. If the device writes the same message multiple times, only one of those messages is guaranteed to be serviced. If all of them must be serviced, the device must not generate the same message again until the driver services the earlier one.

Bit	Access	Default Value	Description
15:8	RO	00h	Reserved ():
7	RO	0b	64 Bit Capable (64BCAP): Hardwired to 0 to indicate that the function does not implement the upper 32 bits of the Message address register and is incapable of generating a 64-bit memory address. This may need to change in future implementations when addressable system memory exceeds the 32b/4GB limit.
6:4	RW	000b	Multiple Message Enable (MME): System software programs this field to indicate the actual number of messages allocated to this device. This number will be equal to or less than the number actually requested. The encoding is the same as for the MMC field below.
3:1	RO	000b	Multiple Message Capable (MMC): System Software reads this field to determine the number of messages being requested by this device. Value: Number of requests 000: 1 All of the following are reserved in this implementation 001: 2 010: 4 011: 8 100: 16 101: 32 110: Reserved 111: Reserved



Bit	Access	Default Value	Description
0	RW	0b	MSI Enable (MSIEN): Controls the ability of this device to generate MSIs.

1.9.32 MA - Message Address

B/D/F/Type: 0/2/0/PCI
 Address Offset: 94-97h
 Default Value: 00000000h
 Access: RW; RO;
 Size: 32 bits

Bit	Access	Default Value	Description
31:2	RW	00000000h	Message Address (MESSADD): Used by system software to assign an MSI address to the device. The device handles an MSI by writing the padded contents of the MD register to this address.
1:0	RO	00b	Force Dword Align (FDWORD): Hardwired to 0 so that addresses assigned by system software are always aligned on a DWORD address boundary.

1.9.33 MD - Message Data

B/D/F/Type: 0/2/0/PCI
 Address Offset: 98-99h
 Default Value: 0000h
 Access: RW;
 Size: 16 bits

Bit	Access	Default Value	Description
15:0	RW	0000h	Message Data (MESSDATA): Base message data pattern assigned by system software and used to handle an MSI from the device. When the device must generate an interrupt request, it writes a 32-bit value to the memory address specified in the MA register. The upper 16 bits are always set to 0. The lower 16 bits are supplied by this register.



1.9.34 GDRST - Graphics Debug Reset

B/D/F/Type: 0/2/0/PCI
 Address Offset: C0h
 Default Value: 00h
 Access: RO; RW;
 Size: 8 bits

Bit	Access	Default Value	Description
7:4	RO	0h	Reserved ():
3:2	RW	00b	Graphics Reset Domain (GRDOM): Graphics Reset Domain 00 – Full Graphics Reset will be performed (both render and display clock domain resets asserted) 01 – Reserved (Illegal Programming) 10 – Reserved (Illegal Programming) 11 – Reserved (Illegal Programming)
1	RO	0b	Reserved ():
0	RW	0b	Graphics Reset Enable (GR): Setting this bit asserts graphics-only reset. The clock domains to be reset are determined by GRDOM. Hardware resets this bit when the reset is complete. Setting this bit without waiting for it to clear, is undefined behavior. Once this bit is set to a "1" all GFX core MMIO registers are returned to power on default state. All Ring buffer pointers are reset, command stream fetches are dropped and ongoing render pipeline processing is halted, state machines and State Variables returned to power on default state. If the Display is reset, all display engines are halted (garbage on screen). VGA memory is not available, Store DWORDs and interrupts are not guaranteed to be completed. Device #2 IO registers are not available. Device #2 Config registers continue to be available while Graphics reset is asserted. This bit is HW auto-clear.



1.9.35 PMCAPID - Power Management Capabilities ID

B/D/F/Type: 0/2/0/PCI
 Address Offset: D0-D1h
 Default Value: 0001h
 Access: RWO; RO;
 Size: 16 bits

Bit	Access	Default Value	Description
15:8	RWO	00h	Next Capability Pointer (NEXT_PTR): This contains a pointer to the next item in the capabilities list. BIOS is responsible for writing this to the FLR Capability when applicable.
7:0	RO	01h	Capability Identifier (CAP_ID): SIG defines this ID is 01h for power management.

1.9.36 PMCAP - Power Management Capabilities

B/D/F/Type: 0/2/0/PCI
 Address Offset: D2-D3h
 Default Value: 0022h
 Access: RO;
 Size: 16 bits

This register is a Mirror of Function 0 with the same read/write attributes. The hardware implements a single physical register common to both functions 0 and 1.

Bit	Access	Default Value	Description
15:11	RO	00h	PME Support (PMES): This field indicates the power states in which the IGD may assert PME#. Hardwired to 0 to indicate that the IGD does not assert the PME# signal.
10	RO	0b	D2 Support (D2): The D2 power management state is not supported. This bit is hardwired to 0.
9	RO	0b	D1 Support (D1): Hardwired to 0 to indicate that the D1 power management state is not supported.
8:6	RO	000b	Reserved ():
5	RO	1b	Device Specific Initialization (DSI): Hardwired to 1 to indicate that special initialization of the IGD is required before generic class device driver is to use it.



Bit	Access	Default Value	Description
4	RO	0b	Reserved ():
3	RO	0b	PME Clock (PMECLK): Hardwired to 0 to indicate IGD does not support PME# generation.
2:0	RO	010b	Version (VER): Hardwired to 010b to indicate that there are 4 bytes of power management registers implemented and that this device complies with revision 1.1 of the PCI Power Management Interface Specification.

1.9.37 PMCS - Power Management Control/Status

B/D/F/Type: 0/2/0/PCI
 Address Offset: D4-D5h
 Default Value: 0000h
 Access: RO; RW;
 Size: 16 bits

Bit	Access	Default Value	Description
15	RO	0b	PME Status (PMESTS): This bit is 0 to indicate that IGD does not support PME# generation from D3 (cold).
14:13	RO	00b	Data Scale (DSCALE): The IGD does not support data register. This bit always returns 00 when read, write operations have no effect.
12:9	RO	0h	Data Select (DSEL): The IGD does not support data register. This bit always returns 0h when read, write operations have no effect.
8	RO	0b	PME Enable (PME_EN): This bit is 0 to indicate that PME# assertion from D3 (cold) is disabled.
7:2	RO	00h	Reserved ():
1:0	RW	00b	Power State (PWRSTAT): This field indicates the current power state of the IGD and can be used to set the IGD into a new power state. If software attempts to write an unsupported state to this field, write operation must complete normally on the bus, but the data is discarded and no state change occurs. On a transition from D3 to D0 the graphics controller is optionally reset to initial values. Behavior of the graphics controller in supported states is detailed in the power



Bit	Access	Default Value	Description
			management section of the BIOS spec. Bits[1:0] Power state 00: D0Default 01: D1Not Supported 10: D2Not Supported 11: D3

1.9.38 SWSMI - Software SMI

B/D/F/Type: 0/2/0/PCI
 Address Offset: E0-E1h
 Default Value: 0000h
 Access: RW;
 Size: 16 bits

As long as there is the potential that DVO port legacy drivers exist which expect this register at this address, Dev#2F0 address E0h-E1h must be reserved for this register.

Bit	Access	Default Value	Description
15:8	RW	00h	Software Scratch Bits (SWSB):
7:1	RW	00h	Software Flag (SWF): Used to indicate caller and SMI function desired, as well as return result.
0	RW	0b	CPU Uncore Software SMI Event (GSSMIE): When Set this bit will trigger an SMI. Software must write a "0" to clear this bit.



1.9.39 LBB - LBB-Legacy Backlight Brightness

B/D/F/Type: 0/2/0/PCI
 Address Offset: F4-F7h
 Default Value: 00000000h
 Access: RW;
 Size: 32 bits
 BIOS Optimal Default 0h

This register can be accessed by either Byte, Word, or Dword PCI config cycles. A write to this register will cause the Backlight Event (Display B Interrupt) if enabled

Bit	Access	Default Value	Description
31:24	RW	00h	Reserved
23:16	RW	00h	Reserved
15:8	RW	00h	LBPC Scratch Trigger1 (LBPC_SCRATCH_1): When written, this scratch byte triggers an interrupt when LBEE is enabled in the Pipe B Status register and the Display B Event is enabled in IER and unmasked in IMR etc. If written as part of a 16-bit or 32-bit write, only one interrupt is generated in common.
7:0	RW	00h	Reserved

1.10 PCI Device 2 Function 1

Register Name	Register Symbol	Register Start	Register End	Default Value	Access
Vendor Identification	VID2	0	1	8086h	RO;
Device Identification	DID2	2	3	A002h	RO;
PCI Command	PCICMD2	4	5	0000h	RO; RW;
PCI Status	PCISTS2	6	7	0090h	RO;
Revision Identification	RID2	8	8	02h	RO;
Class Code Register	CC	9	B	038000h	RO;
Cache Line Size	CLS	C	C	00h	RO;
Master Latency Timer	MLT2	D	D	00h	RO;
Header Type	HDR2	E	E	80h	RO;



Register Name	Register Symbol	Register Start	Register End	Default Value	Access
Memory Mapped Range Address	MMADR	10	13	00000000h	RW; RO;
Subsystem Vendor Identification	SVID2	2C	2D	0000h	RO;
Subsystem Identification	SID2	2E	2F	0000h	RO;
Video BIOS ROM Base Address	ROMADR	30	33	00000000h	RO;
Capabilities Pointer	CAPPOINT	34	34	D0h	RO;
Minimum Grant	MINGNT	3E	3E	00h	RO;
Maximum Latency	MAXLAT	3F	3F	00h	RO;
Mirror of Device 0 Capability Identifier	CAPID0	40	47	000000001080009h	RO;
Mirror of Dev 0 GMCH Graphics Control Register	MGGC	52	53	0030h	RO;
Device Enable	DEVEN	54	57	00000019h	RO;
Mirror of Fun 0 Software Scratch Read Write	SSRW	58	5B	00000000h	RO;
Mirror of Func0 Base of Stolen Memory	BSM	5C	5F	00000000h	RO;
Mirror of Dev2 Func0 Hardware Scratch Read Write	HSRW	60	61	0000h	RO;
Mirror of Dev2 Func0 Multi Size Aperture Control	MSAC	62	62	02h	RO;
Mirror of Dev2 Func0 Graphics Debug Reset	GDRST	C0	C0	00h	RO;



Register Name	Register Symbol	Register Start	Register End	Default Value	Access
Mirror of Fun 0 Power Management Capabilities ID	PMCAPID	D0	D1	0001h	RO;
Mirror of Fun 0 Power Management Capabilities	PMCAP	D2	D3	0022h	RO;
Power Management Control/Status	PMCS	D4	D5	0000h	RO; RW;
Reserved	RESERVED ()	D8	DB	00000000h	RO;
Mirror of Func0 Software SMI	SWSMI	E0	E1	0000h	RO;

1.10.1 VID2 - Vendor Identification

B/D/F/Type: 0/2/1/PCI
 Address Offset: 0-1h
 Default Value: 8086h
 Access: RO;
 Size: 16 bits

This register combined with the Device Identification register uniquely identifies any PCI device.

Bit	Access	Default Value	Description
15:0	RO	8086h	Vendor Identification Number (VID): PCI standard identification for Intel.



1.10.2 DID2 - Device Identification

B/D/F/Type:	0/2/1/PCI
Address Offset:	2-3h
Default Value:	A002h
Access:	RO;
Size:	16 bits

This register is unique in Function 1 (the Function 0 DID is separate). This difference in Device ID is necessary for allowing distinct Plug and Play enumeration of function 1 when both function 0 and function 1 have the same class code.

Bit	Access	Default Value	Description
15:0	RO	A002h	Device Identification Number (DID): Device Identification Number (DID): This is a 16 bit value Identifier assigned to the CPU Uncore core/primary PCI device. DT =A002h MB =A012h

1.10.3 PCICMD2 - PCI Command

B/D/F/Type:	0/2/1/PCI
Address Offset:	4-5h
Default Value:	0000h
Access:	RO; RW;
Size:	16 bits

This 16-bit register provides basic control over the IGD's ability to respond to PCI cycles. The PCICMD Register in the IGD disables the IGD PCI compliant master accesses to main memory.

Bit	Access	Default Value	Description
15:11	RO	00h	Reserved ():
10	RO	0b	Reserved ():
9	RO	0b	Fast Back-to-Back (FB2B): Not Implemented. Hardwired to 0.
8	RO	0b	SERR Enable (SERRE): Not Implemented. Hardwired to 0.
7	RO	0b	Address/Data Stepping Enable (ADSTEP): Not Implemented. Hardwired to 0.
6	RO	0b	Parity Error Enable (PERRE): Not Implemented. Hardwired to 0. Since the IGD belongs to the category of devices that does not corrupt programs or data in system memory or hard drives, the IGD ignores any parity error that it detects and continues with normal operation.



Bit	Access	Default Value	Description
5	RO	0b	VGA Palette Snoop Enable (VGASNOOP): This bit is hardwired to 0 to disable snooping.
4	RO	0b	Memory Write and Invalidate Enable (MWIE): Hardwired to 0. The IGD does not support memory write and invalidate commands.
3	RO	0b	Special Cycle Enable (SCE): This bit is hardwired to 0. The IGD ignores Special cycles.
2	RW	0b	Bus Master Enable (BME): 0: Disable IGD bus mastering. 1: Enable the IGD to function as a PCI compliant master.
1	RW	0b	Memory Access Enable (MAE): This bit controls the IGD's response to memory space accesses. 0: Disable. 1: Enable.
0	RW	0b	I/O Access Enable (IOAE): This bit controls the IGD's response to I/O space accesses. 0: Disable. 1: Enable.



1.10.4 PCISTS2 - PCI Status

B/D/F/Type: 0/2/1/PCI
 Address Offset: 6-7h
 Default Value: 0090h
 Access: RO;
 Size: 16 bits

PCISTS is a 16-bit status register that reports the occurrence of a PCI compliant master abort and PCI compliant target abort. PCISTS also indicates the DEVSEL# timing that has been set by the IGD.

Bit	Access	Default Value	Description
15	RO	0b	Detected Parity Error (DPE): Since the IGD does not detect parity, this bit is always hardwired to 0.
14	RO	0b	Signaled System Error (SSE): The IGD never asserts SERR#, therefore this bit is hardwired to 0.
13	RO	0b	Received Master Abort Status (RMAS): The IGD never gets a Master Abort, therefore this bit is hardwired to 0.
12	RO	0b	Received Target Abort Status (RTAS): The IGD never gets a Target Abort, therefore this bit is hardwired to 0.
11	RO	0b	Signaled Target Abort Status (STAS): Hardwired to 0. The IGD does not use target abort semantics.
10:9	RO	00b	DEVSEL Timing (DEVT): N/A. These bits are hardwired to "00".
8	RO	0b	Master Data Parity Error Detected (DPD): Since Parity Error Response is hardwired to disabled (and the IGD does not do any parity detection), this bit is hardwired to 0.
7	RO	1b	Fast Back-to-Back (FB2B): Hardwired to 1. The IGD accepts fast back-to-back when the transactions are not to the same agent.
6	RO	0b	User Defined Format (UDF): Hardwired to 0.
5	RO	0b	66 MHz PCI Capable (66C): N/A - Hardwired to 0.
4	RO	1b	Capability List (CLIST): This bit is set to 1 to indicate that the register



Bit	Access	Default Value	Description
			at 34h provides an offset into the function's PCI Configuration Space containing a pointer to the location of the first item in the list.
3	RO	0b	Interrupt Status (INTSTS): Hardwired to 0.
2:0	RO	000b	Reserved (0):

1.10.5 RID2 - Revision Identification

B/D/F/Type: 0/2/1/PCI
 Address Offset: 8h
 Default Value: 02h
 Access: RO;
 Size: 8 bits

This register contains the revision number for Device #2 Functions 0 and 1

Bit	Access	Default Value	Description
7:0	RO	02h	Revision Identification Number (RID): This is an 8-bit value that indicates the revision identification number for the CPU Uncore Device 0. For the A-0 Stepping, this value is 00h. 00h: A-0 01h: A-1 02h: B-0



1.10.6 CC - Class Code Register

B/D/F/Type: 0/2/1/PCI
 Address Offset: 9-Bh
 Default Value: 038000h
 Access: RO;
 Size: 24 bits

This register contains the device programming interface information related to the Sub-Class Code and Base Class Code definition for the IGD. This register also contains the Base Class Code and the function sub-class in relation to the Base Class Code.

Bit	Access	Default Value	Description
23:16	RO	03h	Base Class Code (BCC): This is an 8-bit value that indicates the base class code for the CPU Uncore. This code has the value 03h, indicating a Display Controller.
15:8	RO	80h	Sub-Class Code (SUBCC): 80h: Non VGA
7:0	RO	00h	Programming Interface (PI): 00h: Hardwired as a Display controller.

1.10.7 CLS - Cache Line Size

B/D/F/Type: 0/2/1/PCI
 Address Offset: Ch
 Default Value: 00h
 Access: RO;
 Size: 8 bits

The IGD does not support this register as a PCI slave.

Bit	Access	Default Value	Description
7:0	RO	00h	Cache Line Size (CLS): This field is hardwired to 0s. The IGD as a PCI compliant master does not use the Memory Write and Invalidate command and, in general, does not perform operations based on cache line size.



1.10.8 MLT2 - Master Latency Timer

B/D/F/Type: 0/2/1/PCI
Address Offset: Dh
Default Value: 00h
Access: RO;
Size: 8 bits

The IGD does not support the programmability of the master latency timer because it does not perform bursts.

Bit	Access	Default Value	Description
7:0	RO	00h	Master Latency Timer Count Value (MLTCV): Hardwired to 0s.

1.10.9 HDR2 - Header Type

B/D/F/Type: 0/2/1/PCI
Address Offset: Eh
Default Value: 80h
Access: RO;
Size: 8 bits

This register contains the Header Type of the IGD.

Bit	Access	Default Value	Description
7	RO	1b	Multi Function Status (MFUNC): Indicates if the device is a Multi-Function Device. The Value of this register is determined by Device #0, offset 54h, DEVEN[4]. If Device #0 DEVEN[4] is set, the MFUNC bit is also set.
6:0	RO	00h	Header Code (H): This is an 7-bit value that indicates the Header Code for the IGD. This code has the value 00h, indicating a type 0 configuration space format.



1.10.10 MMADR - Memory Mapped Range Address

B/D/F/Type: 0/2/1/PCI
 Address Offset: 10-13h
 Default Value: 00000000h
 Access: RW; RO;
 Size: 32 bits

This register requests allocation for the IGD registers and instruction ports. The allocation is for 512 KB and the base address is defined by bits [31:19].

Bit	Access	Default Value	Description
31:19	RW	0000h	Memory Base Address (MBA): Set by the OS, these bits correspond to address signals [31:19].
18:4	RO	0000h	Address Mask (ADMSK): Hardwired to 0s to indicate 512 KB address range.
3	RO	0b	Prefetchable Memory (PREFMEM): Hardwired to 0 to prevent prefetching.
2:1	RO	00b	Memory Type (MEMTYP): Hardwired to 0s to indicate 32-bit address.
0	RO	0b	Memory / IO Space (MIOS): Hardwired to 0 to indicate memory space.

1.10.11 SVID2 - Subsystem Vendor Identification

B/D/F/Type: 0/2/1/PCI
 Address Offset: 2C-2Dh
 Default Value: 0000h
 Access: RO;
 Size: 16 bits

Bit	Access	Default Value	Description
15:0	RO	0000h	Subsystem Vendor ID (SUBVID): This value is used to identify the vendor of the subsystem. This register should be programmed by BIOS during boot-up. Once written, this register becomes Read_Only. This register can only be cleared by a Reset.



1.10.12 SID2 - Subsystem Identification

B/D/F/Type: 0/2/1/PCI
Address Offset: 2E-2Fh
Default Value: 0000h
Access: RO;
Size: 16 bits

Bit	Access	Default Value	Description
15:0	RO	0000h	Subsystem Identification (SUBID): This value is used to identify a particular subsystem. This field should be programmed by BIOS during boot-up. Once written, this register becomes Read_Only. This register can only be cleared by a Reset.

1.10.13 ROMADR - Video BIOS ROM Base Address

B/D/F/Type: 0/2/1/PCI
Address Offset: 30-33h
Default Value: 00000000h
Access: RO;
Size: 32 bits

The IGD does not use a separate BIOS ROM, therefore this register is hardwired to 0s.

Bit	Access	Default Value	Description
31:18	RO	0000h	ROM Base Address (RBA): Hardwired to 0's.
17:11	RO	00h	Address Mask (ADMSK): Hardwired to 0s to indicate 256 KB address range.
10:1	RO	000h	Reserved (): Hardwired to 0s.
0	RO	0b	ROM BIOS Enable (RBE): 0: ROM not accessible.



1.10.14 CAPPOINT - Capabilities Pointer

B/D/F/Type: 0/2/1/PCI
 Address Offset: 34h
 Default Value: D0h
 Access: RO;
 Size: 8 bits

Bit	Access	Default Value	Description
7:0	RO	D0h	Capabilities Pointer Value (CPV): This field contains an offset into the function's PCI Configuration Space for the first item in the New Capabilities Linked List, the MSI Capabilities ID registers at the Power Management capability at D0h.

1.10.15 MINGNT - Minimum Grant

B/D/F/Type: 0/2/1/PCI
 Address Offset: 3Eh
 Default Value: 00h
 Access: RO;
 Size: 8 bits

Bit	Access	Default Value	Description
7:0	RO	00h	Minimum Grant Value (MGV): The IGD does not burst as a PCI compliant master.

1.10.16 MAXLAT - Maximum Latency

B/D/F/Type: 0/2/1/PCI
 Address Offset: 3Fh
 Default Value: 00h
 Access: RO;
 Size: 8 bits

Bit	Access	Default Value	Description
7:0	RO	00h	Maximum Latency Value (MLV): The IGD has no specific requirements for how often it needs to access the PCI bus.



1.10.17 CAPID0 - Mirror of Device 0 Capability Identifier

B/D/F/Type: 0/2/1/PCI
 Address Offset: 40-47h
 Default Value: 0000000001080009h
 Access: RO;
 Size: 64 bits

Bit	Access	Default Value	Description
63:61	RO	000b	RESERVED ()
60	RO	0b	Reserved
59	RO	0b	RESERVED ()
58	RO	0b	RESERVED ()
57:55	RO	000b	<p>Capability Device ID (CDID): Identifier assigned to CPU primary PCI device. The device IDs for CPU family are: Identifier assigned to CPU primary PCI device. The device IDs for CPU family are: A00X: Desktop A01X: Mobile The corresponding three bit capability ID programming is 000 Desktop 001 Mobile</p>
54:51	RO	0000b	<p>Compatibility Rev ID (CRID): This is an 8-bit value that indicates the revision identification number for CPU Device 0. For the A-0 Stepping, this value is 00h.</p>
50	RO	0b	RESERVED ()
49	RO	0b	RESERVED ()
48	RO	0b	RESERVED ()
47	RO	0b	RESERVED ()
46	RO	0b	RESERVED ()
45	RO	0b	Reserved ():
44	RO	0b	RESERVED ()
43	RO	0b	RESERVED ()
42	RO	0b	RESERVED ()
41	RO	0b	Reserved ():
40	RO	0b	RESERVED ()
39	RO	0b	RESERVED ()
38	RO	0b	RESERVED ()



Bit	Access	Default Value	Description
37:35	RO	000b	Reserved ():
34	RO	0b	RESERVED ()
33:31	RO	000b	DDR Frequency Capability (DDRFC): This field controls which values may be written to the Memory Frequency Select field 6:4 of the Clocking Configuration registers (MCHBAR Offset C00h). Any attempt to write an unsupported value will be ignored. 000: Capable of "All" memory frequencies 001: Reserved 010: Reserved 011: Reserved 100: RESERVED () 101: Capable of up to DDR2 800 110: Capable of up to DDR2 667 111: RESERVED ()
30:28	RO	000b	RESERVED ()
27:24	RO	1h	CAPID Version (CAPIDV): This field has the value 0001b to identify the first revision of the CAPID register definition.
23:16	RO	08h	CAPID Length (CAPIDL): This field has the value 08h to indicate the structure length (8 bytes).
15:8	RO	00h	Next Capability Pointer (NCP): This field is hardwired to 00h indicating the end of the capabilities linked list.
7:0	RO	09h	Capability Identifier (CAP_ID): This field has the value 1001b to identify the CAP_ID assigned by the PCI SIG for vendor dependent capability pointers.

1.10.18 MGGC - Mirror of Dev 0 GMCH Graphics Control Register

B/D/F/Type: 0/2/1/PCI
 Address Offset: 52-53h
 Default Value: 0030h
 Access: RO;
 Size: 16 bits

Bit	Access	Default Value	Description
15:10	RO	00h	Reserved ():
9:8	RO	0h	GTT Graphics Memory Size (GGMS): This field is used to select the amount of Main Memory that is pre-allocated to support the



Bit	Access	Default Value	Description
			<p>Internal Graphics Translation Table. The BIOS ensures that memory is pre-allocated only when Internal graphics is enabled.</p> <p>00: No memory pre-allocated. GTT cycles (Mem and IO) are not claimed.</p> <p>01: 1 MB of memory pre-allocated for GTT.</p> <p>10: Reserved</p> <p>11: Reserved</p> <p>NOTE: This register is locked and becomes Read Only when the D_LCK bit in the SMRAM register is set.</p>
7:4	RO	0011b	<p>Graphics Mode Select (GMS):</p> <p>This field is used to select the amount of Main Memory that is pre-allocated to support the Internal Graphics device in VGA (non-linear) and Native (linear) modes. The BIOS ensures that memory is pre-allocated only when Internal graphics is enabled.</p> <p>0000: No memory pre-allocated. Device 2 (IGD) does not claim VGA cycles (Mem and IO), and the Sub-Class Code field within Device 2 function 0 Class Code register is 80.</p> <p>0001: DVMT (UMA) mode, 1 MB of memory pre-allocated for frame buffer.</p> <p>0011: DVMT (UMA) mode, 8 MB of memory pre-allocated for frame buffer.</p> <p>NOTE: This register is locked and becomes Read Only when the D_LCK bit in the SMRAM register is set.</p> <p>BIOS Requirement: BIOS must not set this field to 000 if IVD (bit 1 of this register) is 0.</p>
3:2	RO	00b	Reserved ()
1	RO	0b	<p>IGD VGA Disable (IVD):</p> <p>0: Enable. Device 2 (IGD) claims VGA memory and IO cycles, the Sub-Class Code within Device 2 Class Code register is 00.</p> <p>1: Disable. Device 2 (IGD) does not claim VGA cycles (Mem and IO), and the Sub- Class Code field within Device 2 function 0 Class Code register is 80.</p> <p>BIOS Requirement: BIOS must not set this bit to 0 if the GMS field (bits 6:4 of this register) pre-allocates no memory.</p> <p>This bit MUST be set to 1 if Device 2 is disabled.</p>
0	RO	0b	Reserved ():



1.10.19 DEVEN - Device Enable

B/D/F/Type: 0/2/1/PCI
 Address Offset: 54-57h
 Default Value: 00000019h
 Access: RO;
 Size: 32 bits

Allows for enabling/disabling of PCI devices and functions that are within the CPU Uncore. The table below the bit definitions describes the behavior of all combinations of transactions to devices controlled by this register.

Bit	Access	Default Value	Description
31:15	RO	00000h	RESERVED ():
14	RO	0b	RESERVED ()
13:5	RO	000h	RESERVED ():
4	RO	1b	Internal Graphics Engine Function 1 (D2F1EN): 0: Bus 0 Device 2 Function 1 is disabled and hidden 1: Bus 0 Device 2 Function 1 is enabled and visible If Device 2 Function 0 is disabled and hidden, then Device 2 Function 1 is also disabled and hidden independent of the state of this bit. If this component is not capable of Dual Independent Display (CAPID0[40] = 1) then this bit is hardwired to 0b to hide Device 2 Function 1.
3	RO	1b	Internal Graphics Engine Function 0 (D2F0EN): 0: Bus 0 Device 2 Function 0 is disabled and hidden 1: Bus 0 Device 2 Function 0 is enabled and visible If this CPU Uncore does not have internal graphics capability (CAPID0[46] = 1) then Device 2 Function 0 is disabled and hidden independent of the state of this bit.
2:1	RO	00b	Reserved ():
0	RO	1b	Host Bridge (DOEN): Bus 0 Device 0 Function 0 may not be disabled and is therefore hardwired to 1.



1.10.20 SSRW - Mirror of Fun 0 Software Scratch Read Write

B/D/F/Type: 0/2/1/PCI
 Address Offset: 58-5Bh
 Default Value: 00000000h
 Access: RO;
 Size: 32 bits

Bit	Access	Default Value	Description
31:0	RO	00000000h	Reserved R/W (0):

1.10.21 BSM - Mirror of Func0 Base of Stolen Memory

B/D/F/Type: 0/2/1/PCI
 Address Offset: 5C-5Fh
 Default Value: 00000000h
 Access: RO;
 Size: 32 bits

Graphics Stolen Memory and Tseg are within DRAM space defined under TOLUD. From the top of low used DRAM, CPU Uncore claims 1 to 64MBs of DRAM for internal graphics if enabled.

The base of stolen memory will always be below 4G. This is required to prevent aliasing between stolen range and the reclaim region.

Bit	Access	Default Value	Description
31:20	RO	000h	Base of Stolen Memory (BSM): This register contains bits 31 to 20 of the base address of stolen DRAM memory. The host interface determines the base of Graphics Stolen memory by subtracting the graphics stolen memory size from TOLUD. See Device 0 TOLUD for more explanation.
19:0	RO	00000h	Reserved (0):



1.10.22 HSRW - Mirror of Dev2 Func0 Hardware Scratch Read Write

B/D/F/Type: 0/2/1/PCI
 Address Offset: 60-61h
 Default Value: 0000h
 Access: RO;
 Size: 16 bits

Bit	Access	Default Value	Description
15:0	RO	0000h	Reserved R/W ():

1.10.23 MSAC - Mirror of Dev2 Func0 Multi Size Aperture Control

B/D/F/Type: 0/2/1/PCI
 Address Offset: 62h
 Default Value: 02h
 Access: RO;
 Size: 8 bits

This register determines the size of the graphics memory aperture in function 0 and in the trusted space. Only the system BIOS will write this register based on pre- boot address allocation efforts, but the graphics may read this register to determine the correct aperture size. System BIOS needs to save this value on boot so that it can reset it correctly during S3 resume.

Bit	Access	Default Value	Description
7:4	RO	0h	Reserved R/W (): Scratch Bits Only -- Have no physical effect on hardware
3	RO	0b	Reserved ():
2:1	RO	01b	Untrusted Aperture Size (LHSAS): 00: Reserved 01: 512 MB. Bit 28 and 27 of GMADR are read-only, allowing 512 MB of address space to be mapped. Bits 18 and 17 of GTTADR are read-only. The untrusted GTT is 512KB. 10: 256 MB. Bit 28 of GMADR is read-write and bit 27 of GMADR is read-only, limiting the address space to 256MB. Bit 18 of GTTADR is read-write and bit 17 of GTTADR is read-only. The untrusted GTT is 256KB. 11: 128 MB. Bits 28 and 27 of GMADR are read-write, allowing 128 MB of address space to be mapped. Bits 18 and 17 of GTTADR are read-write. The untrusted GTT is 128KB. BIOS Requirement: Graphics driver



Bit	Access	Default Value	Description
			development requires that this field be set to '10'.
0:0	RO	0h	Reserved ()

1.10.24 GDRST - Mirror of Dev2 Func0 Graphics Debug Reset

B/D/F/Type: 0/2/1/PCI
 Address Offset: C0h
 Default Value: 00h
 Access: RO;
 Size: 8 bits

Bit	Access	Default Value	Description
7:4	RO	0h	Reserved ():
3:2	RO	00b	Graphics Reset Domain (GRDOM): Graphics Reset Domain 00 - Full Graphics Reset will be performed (both render and display clock domain resets asserted) 01 - Reserved (Illegal Programming) 10 - Reserved (Illegal Programming) 11 - Reserved (Illegal Programming)
1	RO	0b	Reserved ():
0	RO	0b	Graphics Reset Enable (GR): Setting this bit asserts graphics-only reset. The clock domains to be reset are determined by GRDOM. Hardware resets this bit when the reset is complete. Setting this bit without waiting for it to clear, is undefined behavior. Once this bit is set to a "1" all GFX core MMIO registers are returned to power on default state. All Ring buffer pointers are reset, command stream fetches are dropped and ongoing render pipeline processing is halted, state machines and State Variables returned to power on default state. If the Display is reset, all display engines are halted (garbage on screen). VGA memory is not available, Store DWORDs and interrupts are not guaranteed to be completed. Device #2 IO registers are not available. Device #2 Config registers continue to be available while Graphics reset is asserted. This bit is HW auto-clear.



1.10.25 PMCAPIID - Mirror of Fun 0 Power Management Capabilities ID

B/D/F/Type: 0/2/1/PCI
 Address Offset: D0-D1h
 Default Value: 0001h
 Access: RO;
 Size: 16 bits

This register is a mirror of function 0 with the same R/W attributes. The hardware implements a single physical register common to both functions 0 and 1.

Bit	Access	Default Value	Description
15:8	RO	00h	Next Capability Pointer (NEXT_PTR): This contains a pointer to next item in capabilities list. This is the final capability in the list and must be set to 00h.
7:0	RO	01h	Capability Identifier (CAP_ID): SIG defines this ID is 01h for power management.

1.10.26 PMCAP - Mirror of Fun 0 Power Management Capabilities

B/D/F/Type: 0/2/1/PCI
 Address Offset: D2-D3h
 Default Value: 0022h
 Access: RO;
 Size: 16 bits

This register is a Mirror of Function 0 with the same read/write attributes. The hardware implements a single physical register common to both functions 0 and 1.

Bit	Access	Default Value	Description
15:11	RO	00h	PME Support (PMES): This field indicates the power states in which the IGD may assert PME#. Hardwired to 0 to indicate that the IGD does not assert the PME# signal.
10	RO	0b	D2 Support (D2): The D2 power management state is not supported. This bit is hardwired to 0.
9	RO	0b	D1 Support (D1): Hardwired to 0 to indicate that the D1 power management state is not supported.
8:6	RO	000b	Reserved ():



Bit	Access	Default Value	Description
5	RO	1b	Device Specific Initialization (DSI): Hardwired to 1 to indicate that special initialization of the IGD is required before generic class device driver is to use it.
4	RO	0b	Reserved (0):
3	RO	0b	PME Clock (PMECLK): Hardwired to 0 to indicate IGD does not support PME# generation.
2:0	RO	010b	Version (VER): Hardwired to 010b to indicate that there are 4 bytes of power management registers implemented and that this device complies with revision 1.1 of the PCI Power Management Interface Specification.

1.10.27 PMCS - Power Management Control/Status

B/D/F/Type: 0/2/1/PCI
 Address Offset: D4-D5h
 Default Value: 0000h
 Access: RO; RW;
 Size: 16 bits

Bit	Access	Default Value	Description
15	RO	0b	PME Status (PMESTS): This bit is 0 to indicate that IGD does not support PME# generation from D3 (cold).
14:13	RO	00b	Data Scale (DSCALE): The IGD does not support data register. This bit always returns 0 when read, write operations have no effect.
12:9	RO	0h	Data Select (DATASEL): The IGD does not support data register. This bit always returns 0 when read, write operations have no effect.
8	RO	0b	PME Enable (PME_EN): This bit is 0 to indicate that PME# assertion from D3 (cold) is disabled.
7:2	RO	00h	Reserved (0):
1:0	RW	00b	Power State (PWRSTAT): This field indicates the current power state of the IGD and can be used to set the IGD into a new power state. If software attempts to write



Bit	Access	Default Value	Description
			an unsupported state to this field, write operation must complete normally on the bus, but the data is discarded and no state change occurs. On a transition from D3 to D0 the graphics controller is optionally reset to initial values. Behavior of the graphics controller in supported states is detailed in the power management section of the BIOS Spec. Bits[1:0] Power state 00: D0Default 01: D1Not Supported 10: D2Not Supported 11: D3

1.10.28 SWSMI - Mirror of Func0 Software SMI

B/D/F/Type: 0/2/1/PCI
 Address Offset: E0-E1h
 Default Value: 0000h
 Access: RO;
 Size: 16 bits

As long as there is the potential that DVO port legacy drivers exist which expect this register at this address, Dev#2F0address E0h-E1h must be reserved for this register.

Bit	Access	Default Value	Description
15:8	RO	00h	Software Scratch Bits (SWSB):
7:1	RO	00h	Software Flag (SWF): Used to indicate caller and SMI function desired, as well as return result.
0	RO	0b	GMCH Software SMI Event (GSSMIE): When Set this bit will trigger an SMI. Software must write a "0" to clear this bit.



1.11 Device 2 IO

Register Name	Register Symbol	Register Start	Register End	Default Value	Access
MMIO Address Register	Index	0	3	00000000h	RW;
MMIO Data Register	Data	4	7	00000000h	RW;

1.11.1 Index - MMIO Address Register

B/D/F/Type: 0/2/0/PCI IO
 Address Offset: 0-3h
 Default Value: 00000000h
 Access: RW;
 Size: 32 bits

MMIO_INDEX: A 32 bit IO write to this port loads the offset of the MMIO register or offset into the GTT that needs to be accessed. An IO Read returns the current value of this register. An 8/16 bit IO write to this register is completed by the CPU UNCORE but does not update this register.

This mechanism to access internal graphics MMIO registers must not be used to access VGA IO registers which are mapped through the MMIO space. VGA registers must be accessed directly through the dedicated VGA IO ports.

Bit	Access	Default Value	Description
31:2	RW	00000000h	Register/GTT Offset (REGGTO): This field selects any one of the DWORD registers within the MMIO register space of Device #2 if the target is MMIO Registers. This field selects a GTT offset if the target is the GTT.
1:0	RW	00b	Target (TARG): <ul style="list-style-type: none"> • 00: MMIO Registers • 01: GTT • 1X: Reserved



1.11.2 Data - MMIO Data Register

B/D/F/Type: 0/2/0/PCI IO
 Address Offset: 4-7h
 Default Value: 00000000h
 Access: RW;
 Size: 32 bits

MMIO_DATA: A 32 bit IO write to this port is re-directed to the MMIO register/GTT location pointed to by the MMIO-index register. A 32 bit IO read to this port is re-directed to the MMIO register address pointed to by the MMIO-index register regardless of the target selection in MMIO_INDEX(1:0). 8 or 16 bit IO writes are completed by the CPU UNCORE and may have un-intended side effects, hence must not be used to access the data port. 8 or 16 bit IO reads are completed normally.

Note that if the target field in MMIO Index selects "GTT", reads to MMIO data return is undefined.

Bit	Access	Default Value	Description
31:0	RW	00000000h	MMIO Data Window (DATA):

§